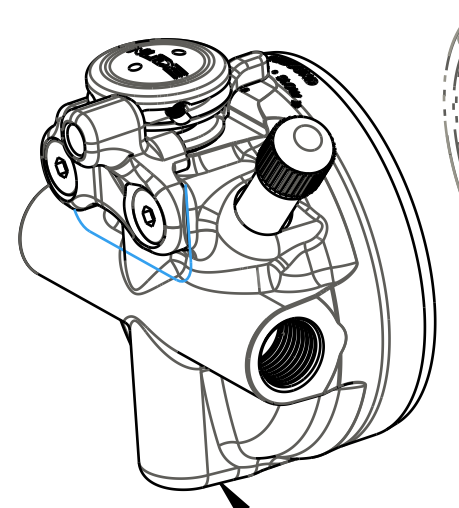


DETAIL A
SCALE 8.000



EYELET ASSEMBLY
808-17-242-KIT

VOLUME SPACER
233-00-214

METERING ROD
210-84-011

010-01-009
Ball [Dia 1.5MM] Steel

029-12-000
Seals: O-ring, Square cut [0.087 ID X 0.039 WALL X 0.036 TH], NA103-70, Dynamic

SHAFT
229-72-011

LOCTITE:
RED 277

GREASE:
THIN LAYER

GREASE:
THIN LAYER

TORQUE:
85±5 IN.LB.
FLUSH

TORQUE:
10-15 IN.LB.

018-01-034
Set Screw [#8-32 X 0.125 TLG] Flat Point, SS

010-01-000
Ball [Ø 0.1250] Steel

TORQUE:
60±5 IN.LB.

VALVE ASSEMBLY
807-06-182-KIT

BEARING ASSEMBLY
812-06-060-KIT

029-08-122
Seals: O-Ring [8.5mm ID x 2.5mm CS]Metric, N-70, static

043-15-070
Valve: [.850 OD X .356 ID x .015 TH]

029-05-030
Seals: O-ring [.050 C.S. x .154 ID] Special N0552-90, Dynamic

SECTION A-A

010-00-010
Pellet Retainer [5/16-24, .220 TLG]

010-00-011
Air Valve Parts: Pellet [Ø 0.275 X 0.125 TLG] nitrile durometer A 90

TORQUE:
3±.25 IN.LB.

GREASE:
THIN LAYER

TORQUE:
20±2 FT.LB.

GREASE:
THIN LAYER

BODY
204-54-231

805-00-092-KIT
Piston Assembly: Floating [Ø 0.940 Bore, 0.325 TLG]

018-01-015
Screw [#1-64 X .188 TLG]

078-04-060
Valve: (T) [.600 OD X .076 ID X .0045 TH]

078-04-080
Valve: (T) [.800 OD X .076 ID X .0045 TH]

241-01-061
Washer: L/O plate, Dish WRD [.800 O.D. X .076 I.D. X .020 TH]

COMPRESSION ROD
210-24-025

010-01-003
Ball [Ø 0.1875] Delrin

AIR SLEEVE ASSEMBLY
806-29-324-KIT

TORQUE:
14±2 IN.LB.

OIL:
2±.2cc
FLOAT FLUID

029-03-022
O-Ring (-022) [.070 C.S. X .989 ID]

GREASE:
THIN LAYER

GREASE:
THIN LAYER
OF SLICK HONEY

TORQUE:
45±5 IN.LB.
HAND TIGHT

IFP Depth: 2.150in +/- 0.020 IFP Pressure: 500psi

PROPRIETARY
THIS DOCUMENT CONTAINS CONFIDENTIAL, PROPRIETARY INFORMATION
THAT IS FOR PROPERTY. DO NOT DISCLOSE TO OR DUPLICATE
FOR OTHERS EXCEPT AS AUTHORIZED BY FOX.

FOX Factory, Inc. Ph 831-768-1100
130 Hangar Way, Watsonville, CA 95076 USA Fax 831-768-9312

TITLE
2017, Nude4, DPS, A, Trunnion Evol LV, Scott, Spark Plus,
165, 45, 0.2 Spacer, CL+, RM, Climb F, PMS-3275C/PMS-3275C Logo

SIZE DWG. NO. **972-91-143**

PLOT SCALE 1.00:1 SHEET 1 OF 2