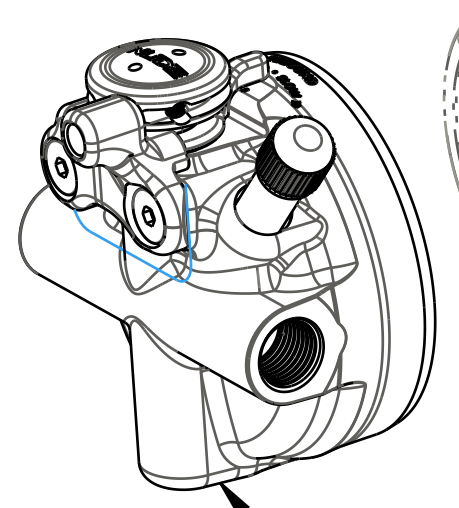


DETAIL A  
SCALE 8.000



EYELET ASSEMBLY  
808-17-242-KIT

VOLUME SPACER  
233-00-214

SEALS: O-ring, Square cut [0.087 ID X 0.039 WALL X 0.036 TH], NA103-70, Dynamic

010-01-009  
Ball [Dia 1.5MM] Steel

METERING ROD  
210-84-011

SHAFT  
229-72-011

LOCTITE:  
RED 277

GREASE:  
THIN LAYER

TORQUE:  
85±5 IN.LB.  
FLUSH

TORQUE:  
10-15 IN.LB.

010-01-000  
Ball [Ø 0.1250] Steel

018-01-034  
Set Screw [#8-32 X 0.125 TLG] Flat Point, SS

Air Valve Parts: Pellet [Ø 0.275 X 0.125 TLG] nitrile durometer A 90

BEARING ASSEMBLY  
812-06-064-KIT

TORQUE:  
60±5 IN.LB.

GREASE:  
THIN LAYER

TORQUE:  
3±.25 IN.LB.

GREASE:  
THIN LAYER

TORQUE:  
20±2 FT.LB.

BODY  
204-54-231

805-00-092-KIT  
Piston Assembly: Floating [Ø 0.940 Bore, 0.325 TLG]

018-01-015  
Screw [#1-64 X .188 TLG]

078-04-060  
Valve: (T) [.600 OD X .076 ID X .0045 TH]

078-04-080  
Valve: (T) [.800 OD X .076 ID X .0045 TH]

241-01-061  
Washer: L/O plate, Dish WRD [.800 O.D. X .076 I.D. X .020 TH]

COMPRESSION ROD  
210-24-025

VALVE ASSEMBLY  
807-06-182-KIT

029-08-122  
Seals: O-Ring [8.5mm ID x 2.5mm CS]Metric, N-70, static

043-15-070  
Valve: [.850 OD X .356 ID x .015 TH]

029-05-030  
Seals: O-ring [.050 C.S. x .154 ID] Special N0552-90, Dynamic

SECTION A-A

IFP Depth: 2.150in +/- 0.020 IFP Pressure: 500psi

010-00-010  
Pellet Retainer [5/16-24, .220 TLG]

010-00-011

010-01-003  
Ball [Ø 0.1875] Delrin

AIR SLEEVE ASSEMBLY  
806-29-297-KIT

029-03-022  
O-Ring (-022) [.070 C.S. X .989 ID]

TORQUE:  
14±2 IN.LB.

OIL:  
2±.2cc  
FLOAT FLUID

GREASE:  
THIN LAYER

TORQUE:  
45±5 IN.LB.  
HAND TIGHT

GREASE:  
THIN LAYER  
OF SLICK HONEY