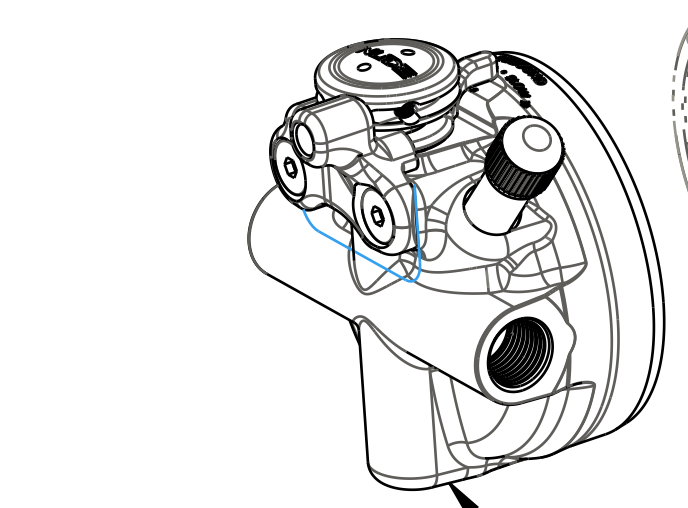


DETAIL A
SCALE 8.000



EYELET ASSEMBLY
808-17-242-KIT

VOLUME SPACER
233-00-214

METERING ROD
210-84-011

010-01-009
Ball [Dia 1.5MM] Steel

029-12-000
Seals: O-ring, Square cut [0.087 ID X 0.039 WALL X 0.036 TH], NA103-70, Dynamic

SHAFT
229-72-011

LOCTITE:
RED 277

GREASE:
THIN LAYER

TORQUE:
85±5 IN.LB.
FLUSH

TORQUE:
10-15 IN.LB.

018-01-034
Set Screw [#8-32 X 0.125 TLG] Flat Point, SS

010-01-000
Ball [Ø 0.1250] Steel

TORQUE:
60±5 IN.LB.

VALVE ASSEMBLY
807-06-182-KIT

BEARING ASSEMBLY
812-06-060-KIT

029-08-122
Seals: O-Ring [8.5mm ID x 2.5mm CS]Metric, N-70, static

043-15-070
Valve: [.850 OD X .356 ID x .015 TH]

029-05-030
Seals: O-ring [.050 C.S. x .154 ID] Special N0552-90, Dynamic

SECTION A-A

010-00-010
Pellet Retainer [5/16-24, .220 TLG]

010-00-011
Air Valve Parts: Pellet [Ø 0.275 X 0.125 TLG] nitrile durometer A 90

TORQUE:
3±.25 IN.LB.

GREASE:
THIN LAYER

TORQUE:
20±2 FT.LB.

OIL:
2±.2cc
FLOAT FLUID

AIR SLEEVE ASSEMBLY
806-29-334-KIT

029-03-022
O-Ring (-022) [.070 C.S. X .989 ID]

GREASE:
THIN LAYER

TORQUE:
45±5 IN.LB.
HAND TIGHT

BODY
207-50-031

805-00-092-KIT
Piston Assembly: Floating [Ø 0.940 Bore, 0.325 TLG]

018-01-015
Screw [#1-64 X .188 TLG]

078-04-060
Valve: (T) [.600 OD X .076 ID X .0045 TH]

078-04-080
Valve: (T) [.800 OD X .076 ID X .0045 TH]

241-01-061
Washer: L/O plate, Dish WRD [.800 O.D. X .076 I.D. X .020 TH]

COMPRESSION ROD
210-24-025

IFP Depth: 2.150in +/- 0.020 IFP Pressure: 500psi

PROPRIETARY - THIS DOCUMENT CONTAINS CONFIDENTIAL, PROPRIETARY INFORMATION THAT IS FOR PROPERTY. DO NOT DISCLOSE TO OR DUPLICATE FOR OTHERS EXCEPT AS AUTHORIZED BY FOX.

FOX Factory, Inc.
130 Hangar Way, Watsonville, CA 95076 USA
Ph 831-768-1100
Fax 831-768-9312

TITLE
2017, Nude4, DPS, K, Trunnion Evol LV, Scott, Spark,
165, 45, 0.2 Spacer, CL+, RM, Climb F, YS-941/YS-804 Logo

SIZE DWG. NO. 972-91-156

PLOT SCALE 1.00:1 SHEET 1 OF 2