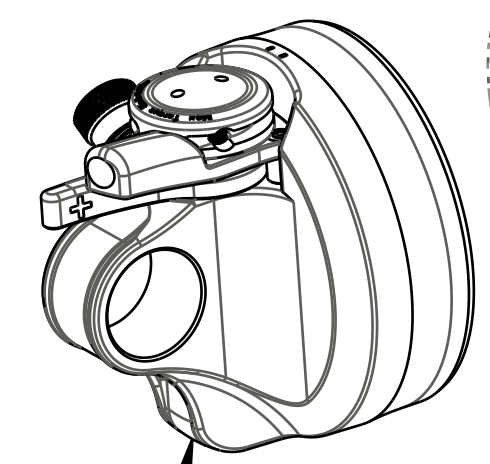


DETAIL A
SCALE 8:000

IMPORTANT:
LIP ORIENTATION
TOWARDS AIR SLEEVE

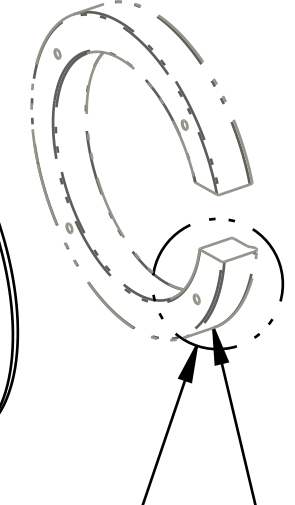
043-15-070
Valve: [.850 OD X .356 ID X .015 TH]

Seals: O-ring [.050 C.S. x .154 ID] Special N0552-90, Dynamic



EYELET ASSEMBLY
808-17-163-KIT

SEE DETAIL A



GREASE:
GREASE BALL

029-05-030
TORQUE: 85±5 IN.LB.

METERING ROD
210-84-004

LOCTITE:
RED 277

GREASE:
THIN LAYER

010-01-009
Ball [Dia 1.5MM]Steel

029-12-000
Seals: O-ring, Square cut [0.087 ID X 0.039 WALL X 0.036 TH], NA103-70, Dynamic

VOLUME SPACER
233-00-214

Air Valve Parts: Pellet [Ø 0.275 X 0.125 TLG] nitrile durometer A 90

010-00-011

010-00-010
Pellet Retainer [5/16-24, .220 TLG]

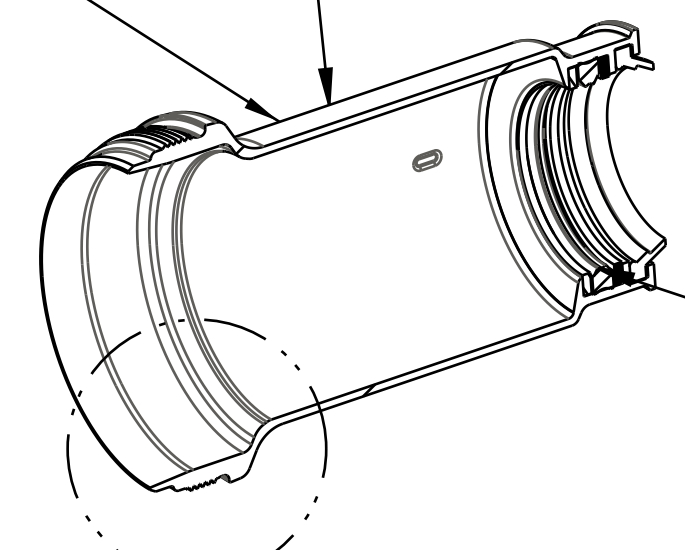
010-01-003
Ball [Ø 0.1875] Delrin

TORQUE:
14±2 IN.LB.

OIL:
2±.2cc
FLOAT FLUID

AIR SLEEVE ASSEMBLY
806-29-294-KIT

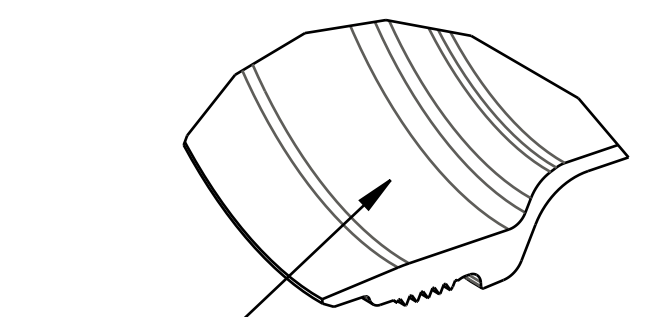
029-03-022
O-Ring (-022) [1.070 C.S. X .989 ID]



GREASE:
THIN LAYER
OF SLICK HONEY

TORQUE:
45±5 IN. LB.
HAND TIGHT

SEE DETAIL B



DETAIL B
SCALE 2:1

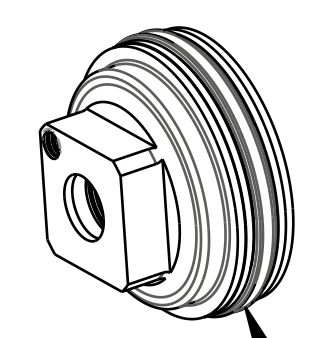
GREASE:
THIN LAYER
OF SLICK HONEY

TORQUE:
10-15 IN.LB.

010-01-000
Ball [Ø 0.1250] Steel

TORQUE:
60±5 IN.LB.

GREASE:
THIN LAYER



BEARING ASSEMBLY
812-06-060-KIT

018-01-034
Set Screw [#8-32 X 0.125 TLG] Flat Point, SS

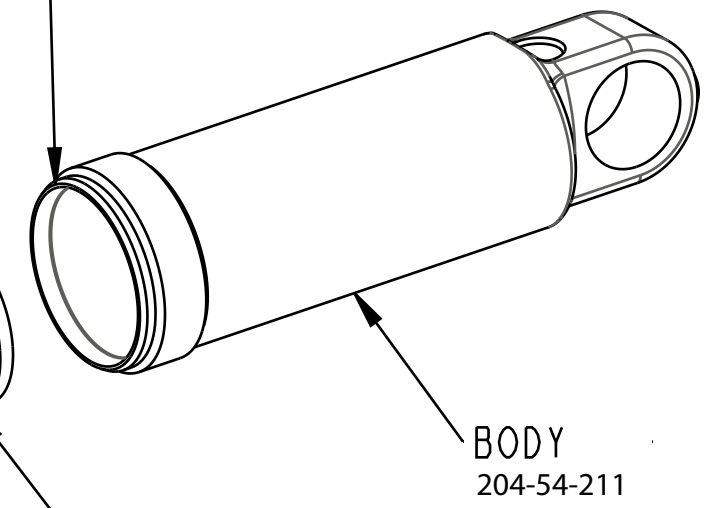
029-08-122
Seals: O-Ring [8.5mm ID x 2.5mm CS]Metric, N-70, static

SHAFT
229-72-004

TORQUE:
3±.25 IN.LB.

GREASE:
THIN LAYER

TORQUE:
20±2 FT. LB.



BODY
204-54-211

805-00-092-KIT
Piston Assembly: Floating [Ø 0.940 Bore, 0.325 TLG]

018-01-015
Screw [#1-64 X .188 TLG]

078-04-060
Valve: (T) [.600 OD X .076 ID X .0045 TH]

078-04-080
Valve: (T) [.800 OD X .076 ID X .0045 TH]

241-01-061
Washer: L/O plate, Dish WRD [.800 O.D. X .076 I.D. X .020 TH]

COMPRESSION ROD
210-24-021

VALVE ASSEMBLY
807-06-182-KIT

IFP Depth: 2.360in +/- 0.020 IFP Pressure: 500psi

FOX Factory, Inc.
130 Hangar Way, Watsonville, CA 95076 USA
Ph 831-768-1100
Fax 831-768-9312

TITLE
2017, Nude 3 DPS, LV, A, SCOTT, e-Contessa Genius 720 Plus,
7,500, 2,000, CL+, RM, CMF, YS-9680/YS-9680 Logo

SIZE DWG. NO. 972-91-171
PLOT SCALE 1.00:1 SHEET 1 OF 2

PROPRIETARY - THIS DOCUMENT CONTAINS CONFIDENTIAL, PROPRIETARY INFORMATION THAT IS FOR PROPERTY. DO NOT DISCLOSE TO OR DUPLICATE FOR OTHERS EXCEPT AS AUTHORIZED BY FOX.