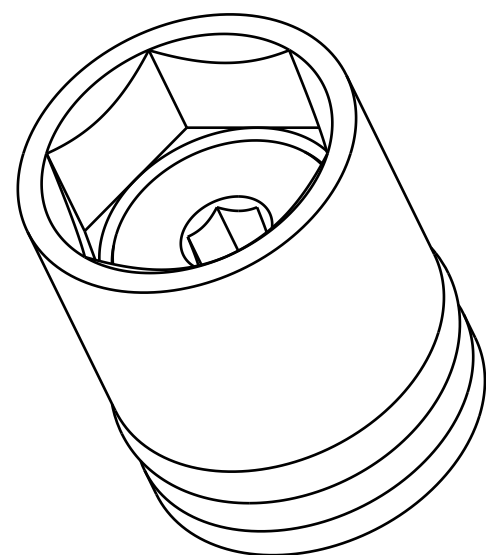


4

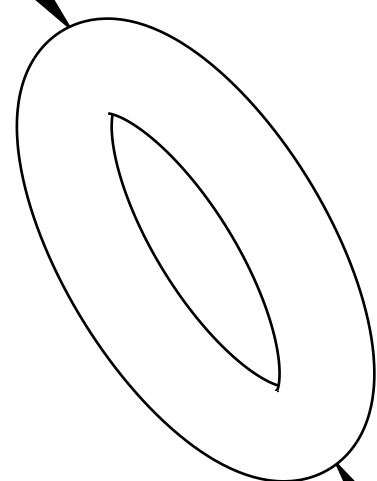
3

2

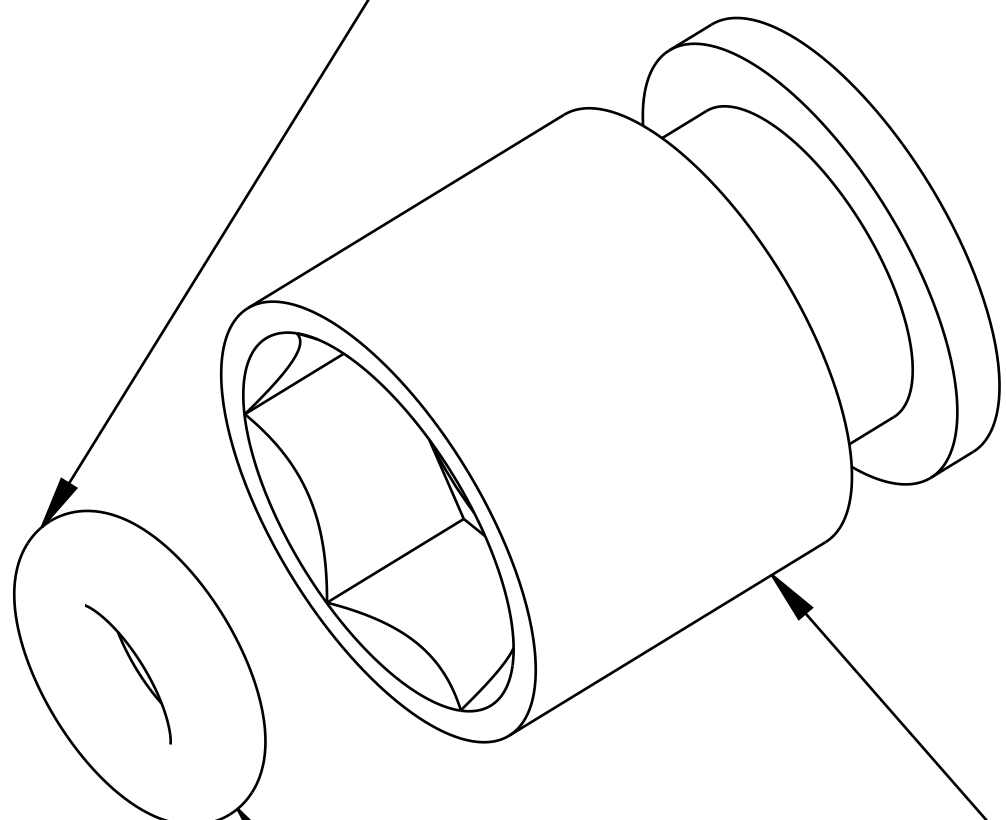
1



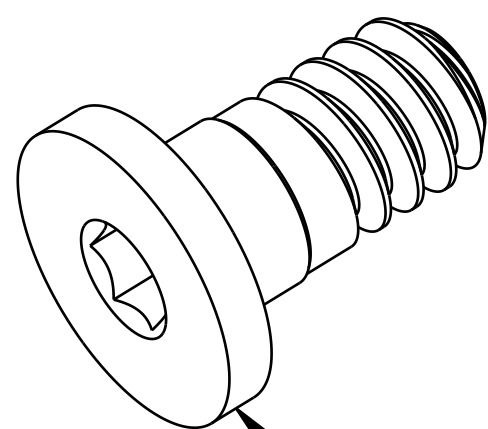
GREASE:  
THIN LAYER  
OF SLICK HONEY



029-00-010  
O-Ring (-010) [.070 C.S. X .239 ID]

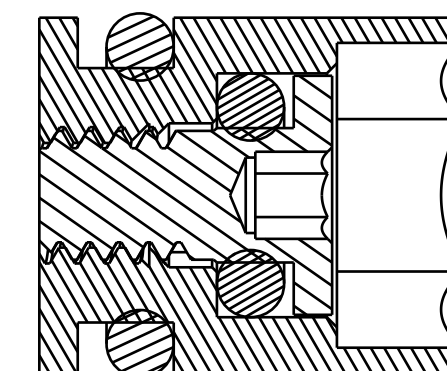


IFP: w/Bleed, Trek TS2, for .375 Bore



210-24-174  
Screw [#6-32 X 0.250 TLG]

029-03-006  
O-Ring (-006) [.070 C.S. X .114 ID]



SECTION A-A

**FOX** **FOX Factory, Inc.** Ph 831-768-1100  
130 Hangar Way, Watsonville, CA 95076 USA Fax 831-768-9312

TITLE Piston Assembly: Floating,  
With Bleed, [Ø 0.375 Bore], Trek TSS

SIZE DWG. NO. **C** 805-00-102-KIT

PLOT SCALE 5.00:1 SHEET 1 OF 1

PROPRIETARY  
THIS DOCUMENT CONTAINS CONFIDENTIAL, PROPRIETARY INFORMATION  
THAT IS FOX PROPERTY. DO NOT DISCLOSE TO OR DUPLICATE  
FOR OTHERS EXCEPT AS AUTHORIZED BY FOX.

4

3

2

ProE ASSEM