

4

3

2

1

D

D

C

C

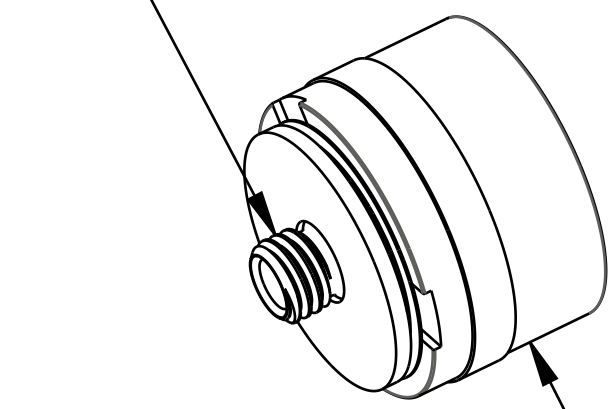
B

B

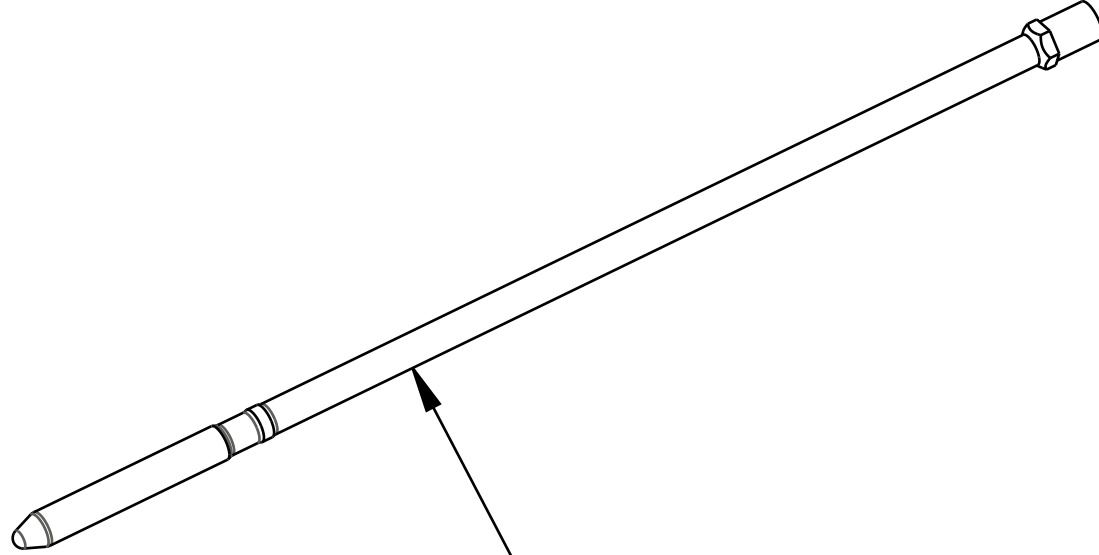
A

A

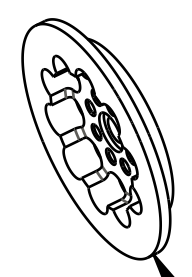
TORQUE:
60±5 IN LB



815-72-005-KIT
Valving Sub Assy: Trek RG Valve Housing, CM, RM

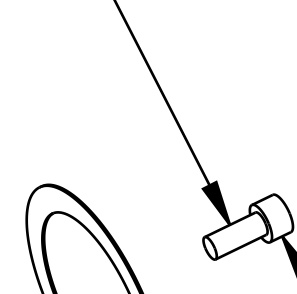


210-79-100
Rod: CD Adjust, Trek TS2, 3.601 TLG, 52.5mm Travel, SS



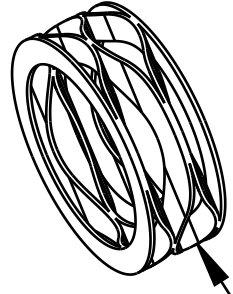
210-22-821
Spring Perch: Trek, Float RG, [.728 OD, .115 TLG], 416 SS

TORQUE:
3±.25 IN LB



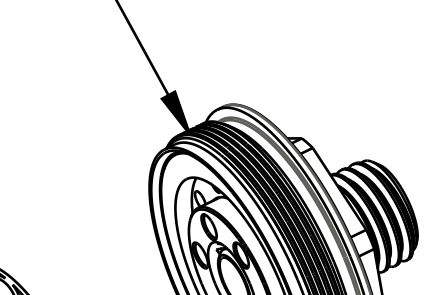
046-20-030
Valve: [.730 OD X 0.565 ID X .006 TH]

018-01-015
Screw [#1-64 X .188 TLG]

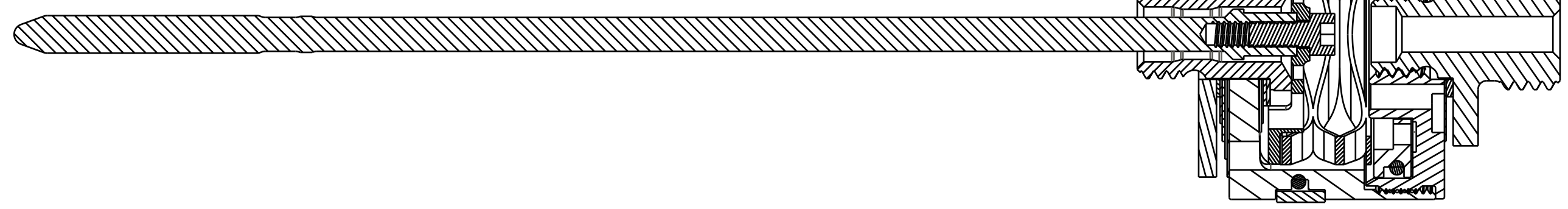


039-00-318
Spring: Wave [.250 TLG X .730 OD X 272 lbs/in] Carbon Steel

TORQUE:
22±5 IN LB



815-72-004-KIT
Valving Sub Assy: Trek RG Valve Housing Cap



- PROPRIETARY -
THIS DOCUMENT CONTAINS CONFIDENTIAL, PROPRIETARY INFORMATION
THAT IS FOX PROPERTY. DO NOT DISCLOSE TO OR DUPLICATE
FOR OTHERS EXCEPT AS AUTHORIZED BY FOX.

FOX **FOX Factory, Inc.** Ph 831-768-1100
130 Hangar Way, Watsonville, CA 95076 USA Fax 831-768-9312

TITLE
**Valving Assy: (T) Trek TSS
210 X 52.5, CM, RM, RaM**

SIZE DWG. NO.
C 807-72-218-KIT

PLOT SCALE | .50 : 1 | SHEET 1 OF 1

4

3

2

1

ProE ASSEM