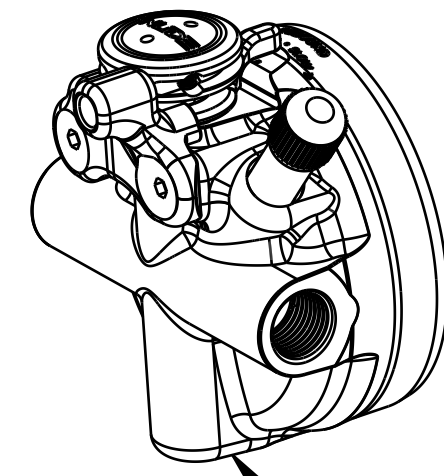


DETAIL A
SCALE 8.000



808-17-246-KIT
Eyelet Assy: 2018 FLOAT DPS, Nude 4, Trunnion, no Volume Spacer

233-00-217
Volume Spacer: 2018 Nude 4, 0.1in³, One Piece EVOL

029-12-000
Seals: O-ring, Square cut [0.087 ID X 0.039 WALL X 0.036 TH], NA103-70, Dynamic

010-01-009
Ball [Dia 1.5MM] Steel

210-84-011
Damp Adj Part: (T) FLOAT 2017, Metering Rod Rebound [110 ID X 2.632 TLG], 45mm

229-72-011
Shaft (T) [1.175 ID x .354 OD x 2.529 TLG] AL 7075-T6, Black Ano III, 45mm

GREASE: THIN LAYER

LOCTITE: RED 277

812-06-087-KIT
Bearing Assy: FLOAT, 2018, Short [.940 Bore, 1.500 Bore, 9mm Shaft]

018-08-013
Slotted Spring Pin, [IMM Diameter X 6mm Length], 18-8 SS

210-24-025
Damping Adjust Part: (T) Inner Comp Rod, Scott Float DPS, 2017, 3.278 TLG, 45mm Travel

018-01-015
Screw [#1-64 X .188 TLG]

805-00-092-KIT
Piston Assembly: Floating [Ø 0.940 Bore, 0.325 TLG]

BODIES:
204-54-231: Body: FLOAT [Ø 0.940 Bore, 1.060 OD, 3.959 TLG] Black Ano III, 165(T) x 40/45
207-50-031: Body: FLOAT [Ø 0.940 Bore, 1.060 OD, 3.959 TLG] Kashima, 165(T) x 40/45

ADD 2±.2cc FLOAT FLUID

029-03-022
O-Ring (-022) [.070 C.S. X .989 ID]

TORQUE: 14±2 IN. LB.

AIR SLEEVE ASSEMBLIES:
806-29-660-KIT: Sleeve Assembly: 2018, NUDE, 1.500 Bore, LV, EVOL, Black Ano, 165 X 40/45
806-29-670-KIT: Sleeve Assembly: 2018, NUDE, 1.500 Bore, LV, EVOL, Kashima, 165 X 40/45

010-00-010
Pellet Retainer [5/16-24, .220 TLG]

010-01-003
Ball [Ø 0.1875] Delrin

010-00-011

Air Valve Parts: Pellet [Ø 0.275 X 0.125 TLG] nitrile durometer A 90

TORQUE: 3±.25 IN. LB.

GREASE: THIN LAYER

TORQUE: 20±2 FT. LB.

GREASE: THIN LAYER

TORQUE: 45±5 IN. LB. HAND TIGHT

GREASE: THIN LAYER OF SLICK HONEY

TORQUE: 60±5 IN. LB.

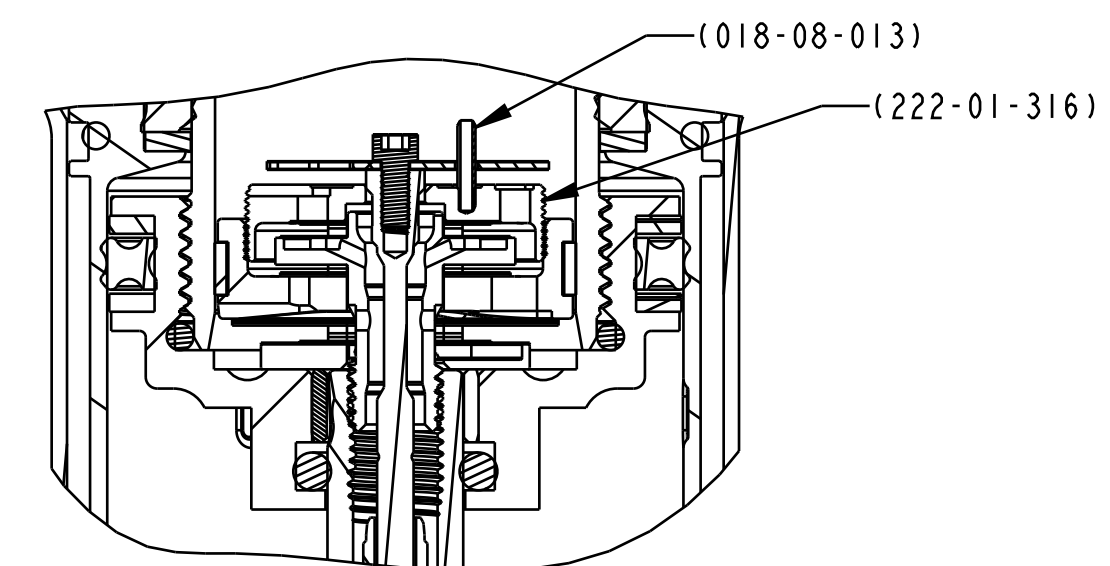
GREASE: THIN LAYER

TORQUE: 10-15 IN. LB.

010-01-000
Ball [Ø 0.1250] Steel

018-01-034
Set Screw [#8-32 X 0.125 TLG] Flat Point, SS

IMPORTANT:
LIP ORIENTATION
TOWARDS AIR SLEEVE



SECTION B-B
SCALE 2.000

FOX Factory, Inc.
130 Hangar Way, Watsonville, CA 95076 USA
Ph 831-768-1100
Fax 831-768-9312

TITLE
2018 Nude4 DPS Trunnion EVOL LV
Scott Spark & Spark Contessa

SIZE DWG. NO.
D

PLOT SCALE 1.00:1

SHEET 1 OF 2

PROPRIETARY - THIS DOCUMENT CONTAINS CONFIDENTIAL, PROPRIETARY INFORMATION THAT IS FOR PROPERTY. DO NOT DISCLOSE TO OR DUPLICATE FOR OTHERS EXCEPT AS AUTHORIZED BY FOX.