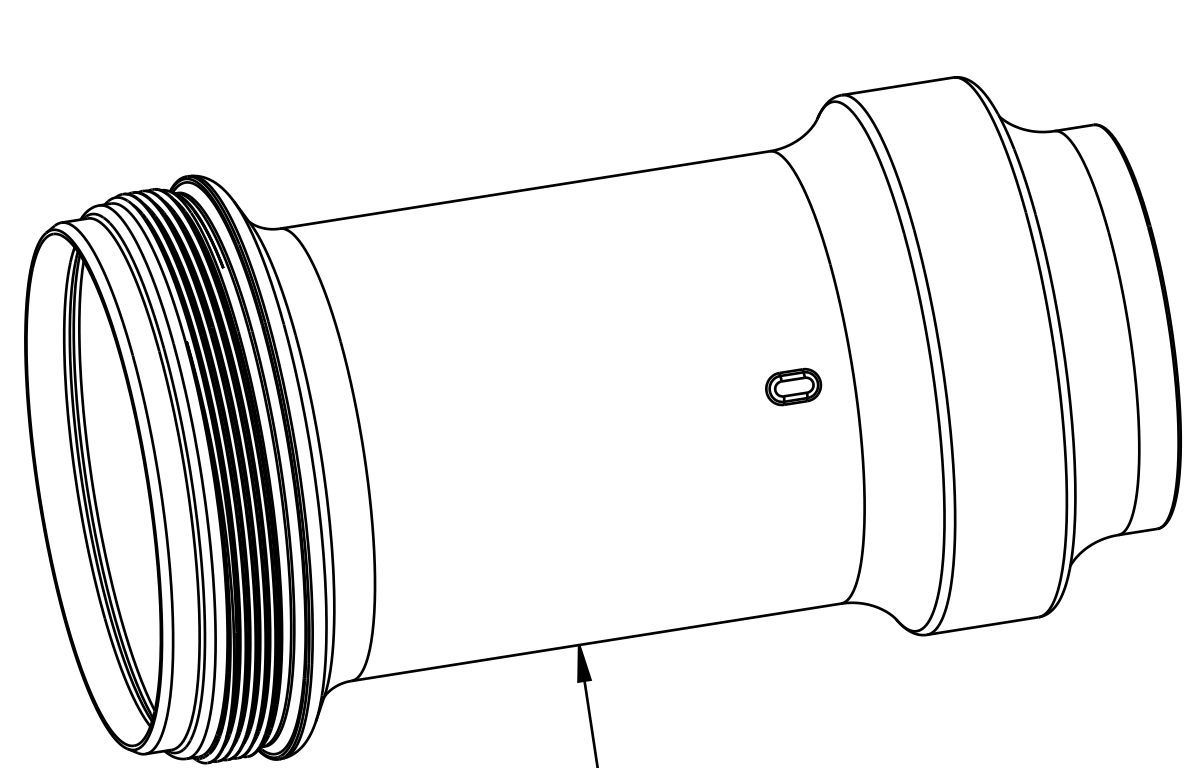


4

3

2

1



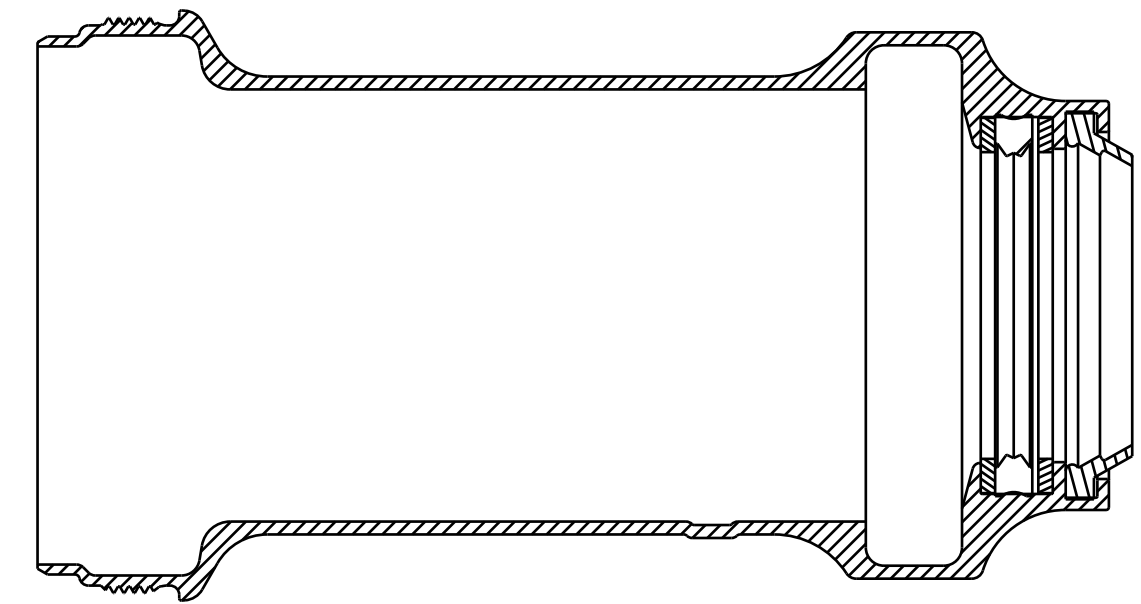
SLEEVE

003-09-000  
Bearing: Back Up Ring [Ø 1.060 Shaft]

036-01-017  
Seal: Chevron, FLOAT Body [Ø 1.060 Shaft]

036-02-020  
Wiper, Samurai [Ø 1.060 Shaft]

(003-09-000)



- PROPRIETARY -  
THIS DOCUMENT CONTAINS CONFIDENTIAL, PROPRIETARY INFORMATION  
THAT IS FOX PROPERTY. DO NOT DISCLOSE TO OR DUPLICATE  
FOR OTHERS EXCEPT AS AUTHORIZED BY FOX.

<b>FOX</b>		<b>FOX Factory, Inc.</b>		Ph 831-768-1100
		130 Hangar Way, Watsonville, CA 95076 USA		Fax 831-768-9312
TITLE				
Sleeve Assemblies: 2018, NUDE, 1.500 Bore				
LV, EVOL, Kashima and Ano, 165 X 40/45				
SIZE DWG. NO.				
C				
PLOT SCALE		2:1		SHEET 1 OF 1

4

3

2

1

D

D

C

C

B

B

A

A