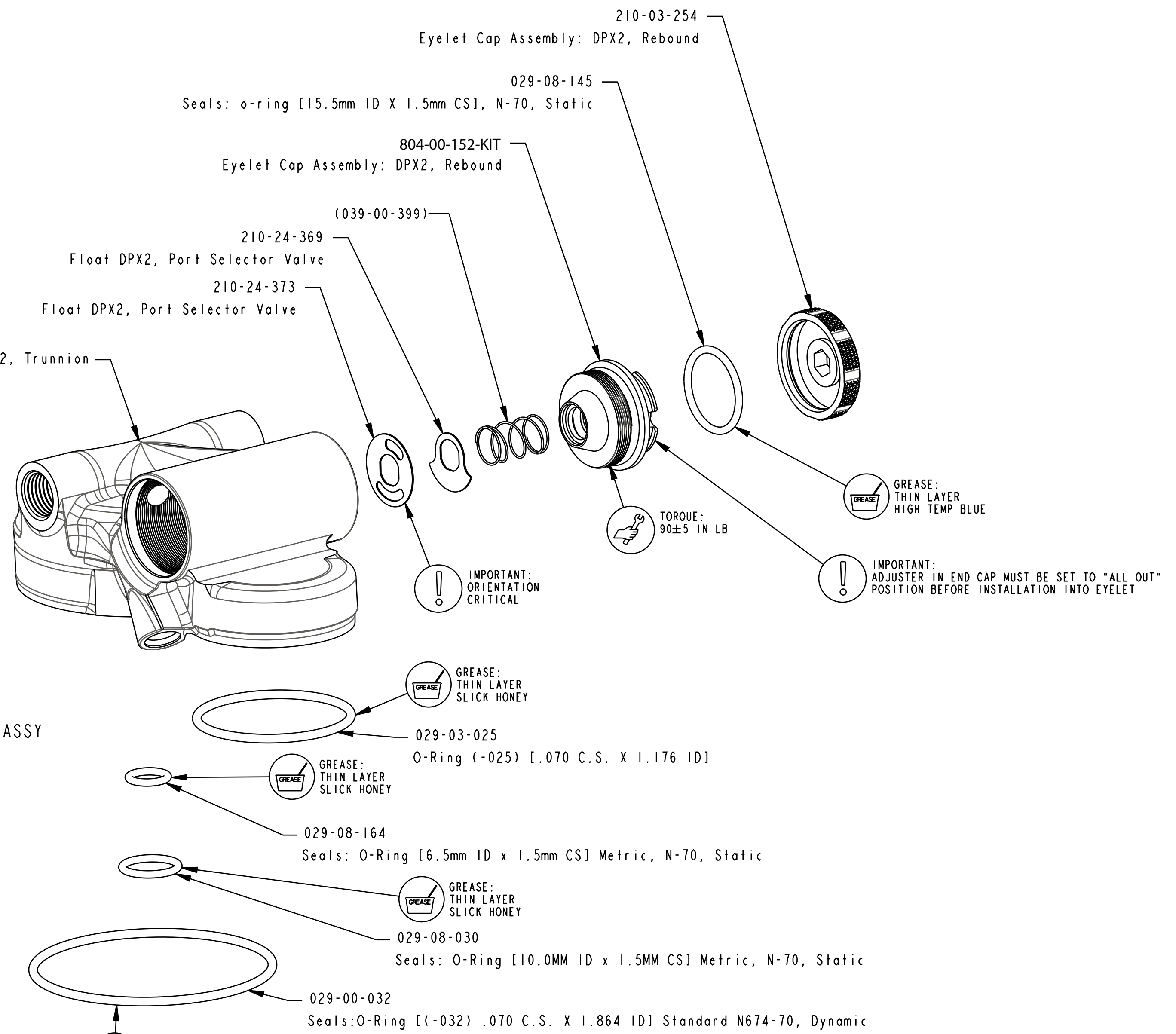
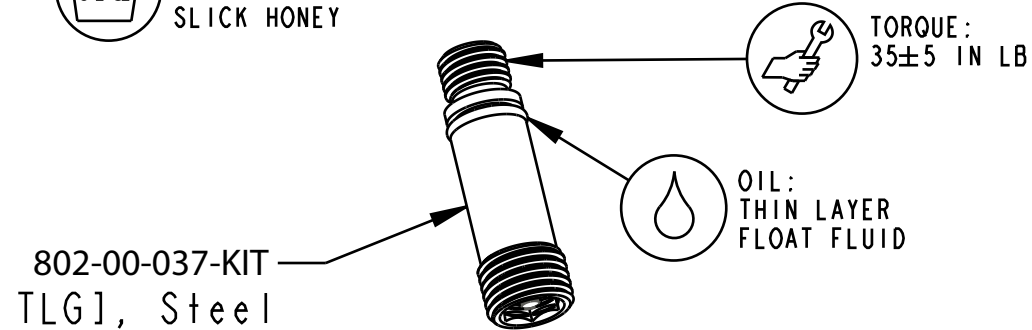


Eyelet: Shaft End, 2018 Float DPX2, Trunnion

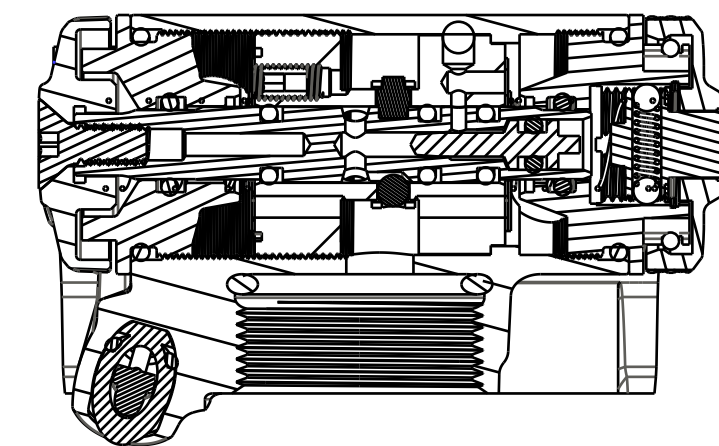


Air Valve Assy: Short & Slim [M6 X .75 X .990 TLG], Steel

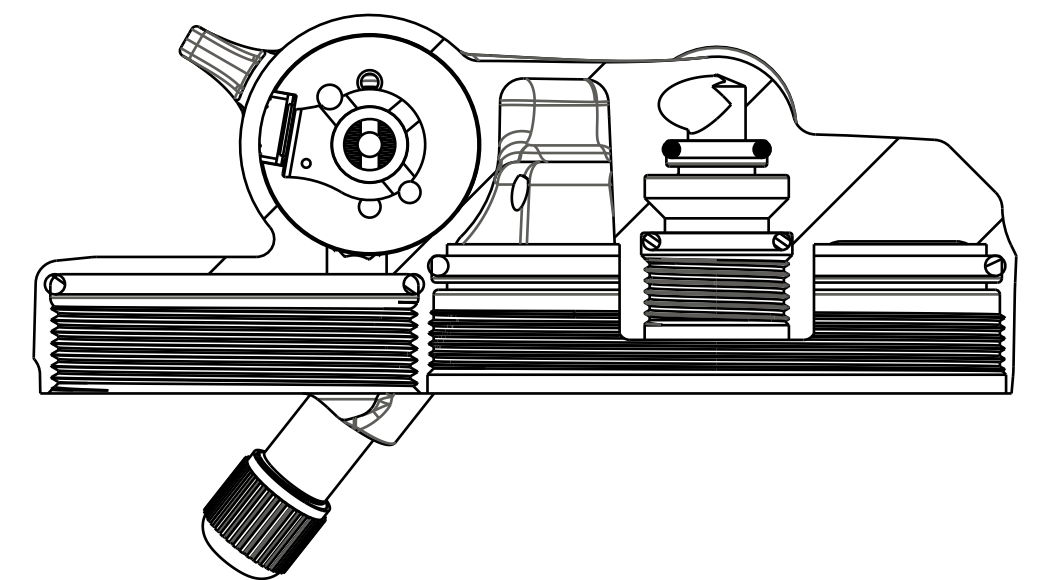


Air Valve Parts: Cap, Air Valve [.305-32], Black, 6061

010-00-057



SECTION D-D



SECTION A-A

PROPRIETARY - THIS DOCUMENT CONTAINS CONFIDENTIAL, PROPRIETARY INFORMATION THAT IS FOR PROPERTY. DO NOT DISCLOSE TO OR DUPLICATE FOR OTHERS EXCEPT AS AUTHORIZED BY FOX.

FOX Factory, Inc.
130 Hangar Way, Watsonville, CA 95076 USA
Ph 831-768-1100
Fax 831-768-9312

TITLE
Eyelet Assy: 2018 FLOAT DPX2,
P-S, 3pos, Trunnion, Short Tank Valve

SIZE DWG. NO. **808-17-391-KIT**

PLOT SCALE 1.50:1 SHEET 1 OF 1