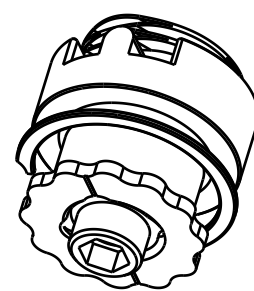


4

3

2

1



Retaining Ring: Internal, Round Wire [.031 Wire OD, .265 free ID]

Damping Adjust Part: Compression Needle Driver, Float DPX2, F-S

Retaining Ring: Internal, Smalley VH-56-s16, 316 SS

Damping Adjust Part: Selector Shaft Driver, Float DPX2, F-S

Spring: Wave [0.437in OD x 0.281in ID x 4 Turns] Smalley C043-L2-S17

Spring: Detent [.138 TLG, .087 OD, 48 lb/in]

Ball [Ø 0.0938] 52100 Grade 25 Steel, Chrome

038-00-138

210-24-297

038-00-160

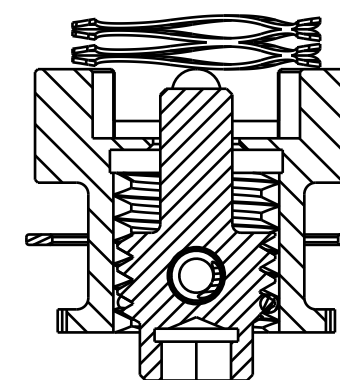
039-00-408

(010-01-002-A)

039-00-243

010-01-002-A

GREASE:
THIN LAYER
HIGH TEMP BLUE



SECTION B-B
SCALE 3.000

FOX FOX Factory, Inc. Ph 831-768-1100
130 Hangar Way, Watsonville, CA 95076 USA Fax 831-768-9312

TITLE Damping Adjust Assembly:
CD, DPX2, F-S, Open Mode Adj

SIZE DWG. NO. **815-02-088-KIT**

PLOT SCALE 2.00:1

SHEET 1 OF 1

- PROPRIETARY -
THIS DOCUMENT CONTAINS CONFIDENTIAL, PROPRIETARY INFORMATION
THAT IS FOX PROPERTY. DO NOT DISCLOSE TO OR DUPLICATE
FOR OTHERS EXCEPT AS AUTHORIZED BY FOX.

4

3

2

1