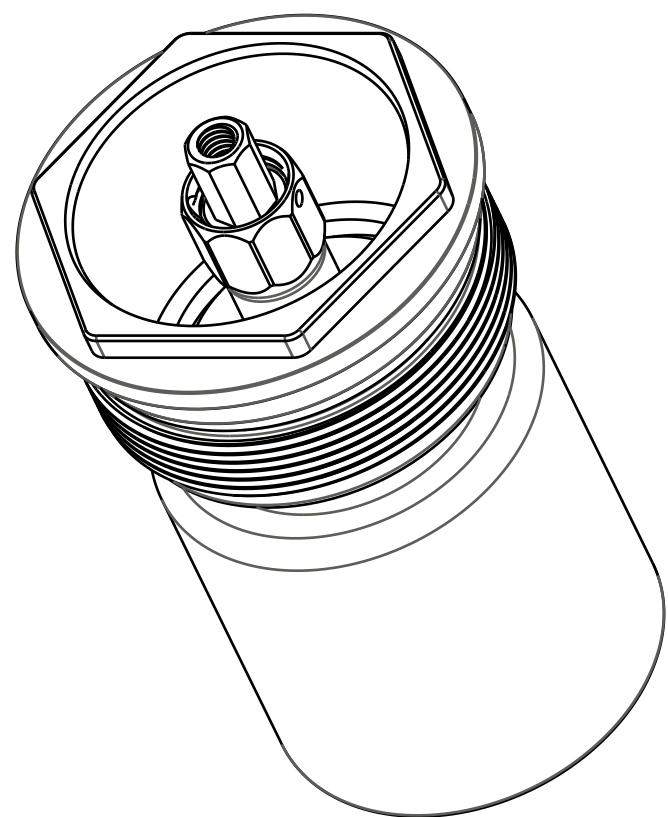


4

3

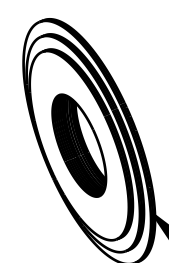
2

1



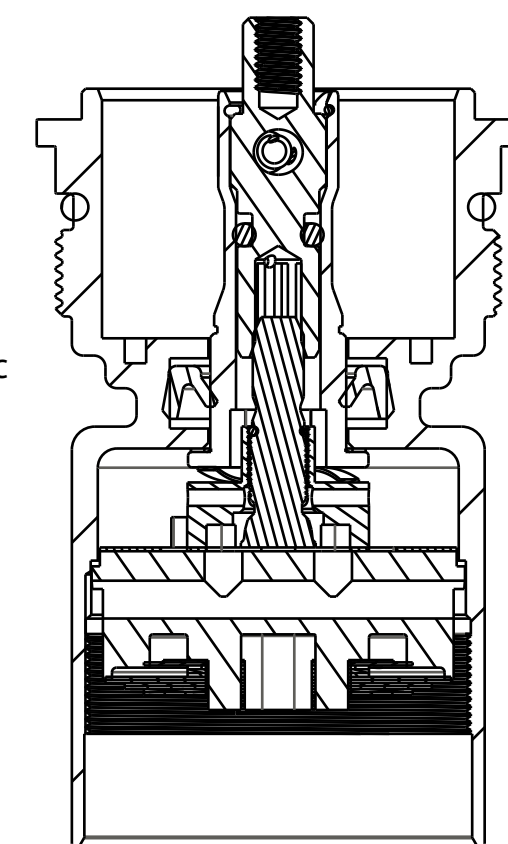
Topcap Parts:
 820-03-542-KIT: 2018 FIT4 Lightweight F-S Top Cap Parts, Remote, U-Cup, Push-Unlock
 820-03-539-KIT: 2018 FIT4 Lightweight F-S Top Cap Parts, Remote, U-Cup, Push-Lock
 820-03-534-KIT: 2018 FIT4 Lightweight F-S Top Cap Parts, Remote, U-Cup (3pos)

TOPCAP BODY



Valving Assemblies:
 820-03-522-KIT: 2017 FIT4 SC Compression Valving Assy, VC49
 820-03-544-KIT: 2018 FIT4 F-S Compression Valving Assy, E18

029-03-022-A
 Seals: O-Ring [(-022) .070 C.S. X 0.989 ID] Standard, N-70, Static
 036-01-093
 Seals: U-cup, Low Friction, 9mm Shaft



- PROPRIETARY -
 THIS DOCUMENT CONTAINS CONFIDENTIAL, PROPRIETARY INFORMATION
 THAT IS FOX PROPERTY. DO NOT DISCLOSE TO OR DUPLICATE
 FOR OTHERS EXCEPT AS AUTHORIZED BY FOX.

FOX Factory, Inc. Ph 831-768-1100
 130 Hangar Way, Watsonville, CA 95076 USA Fax 831-768-9312

TITLE
**2018 32mm FIT4 SC
 Topcap Assy, Remote U-Cup**

SIZE DWG. NO.
C

PLOT SCALE | .50:1 | SHEET 1 OF 1

4

3

2

1