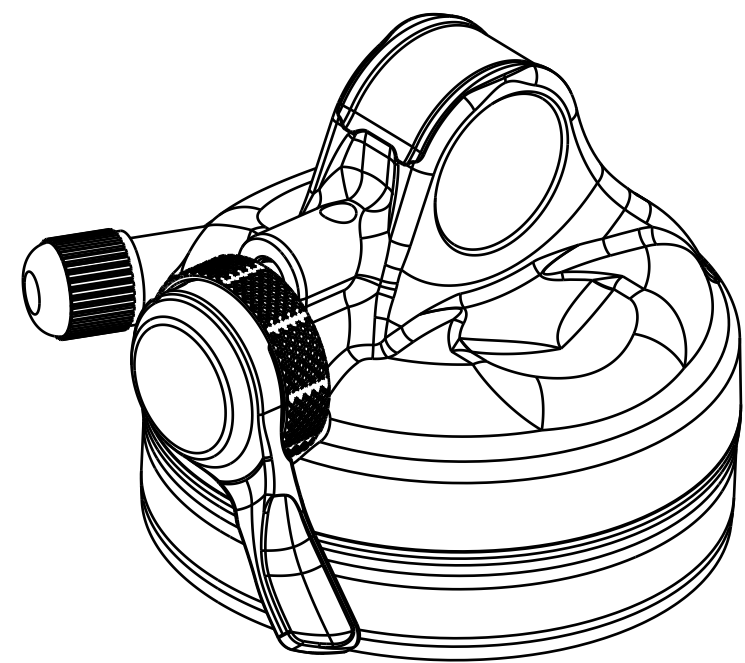


4

3

2

1



LV STANDARD

Air Valve Parts: Cap, Air Valve [.305-.32], Black, 6061

Spring: [.0.190 TLG X 0.120 OD X 25.6 lbs/in] 17-7 SS, left hand wound

010-01-000
Ball [Ø 0.1250] Steel

TORQUE:
5±1 IN LB

802-00-007-KIT
Air Valve Assy: Slim[M6 X .75, 1.150 TLG]

TORQUE:
35±5 IN LB

029-08-082
Seals: O-Ring [5.28mm ID X 1.0mm CS] Metric, N-70, Static

019-02-021
Set Screw: Custom Dog Point, Radius [M3 x .5mm, .300 TLG], SS

TORQUE:
TO CAM SHAFT
AND BACK OFF 1/4 TURN

EYELET

010-00-057

039-00-264

029-08-079
Seals: O-Ring [7.5MM ID x 1.5MM CS] Metric, N-70, Static

029-00-032
Seals: O-Ring [(-032) .070 C.S. X 1.864 ID] Standard N674-70, Dynamic

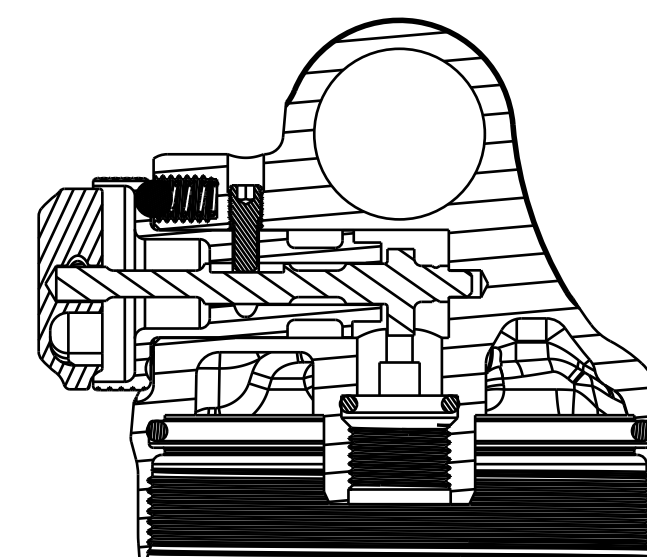
210-30-056
Cam: CD Adj, 2016 Float DPS, 3pos

GREASE:
THIN LAYER
HIGH TEMP BLUE

210-30-044
Damp Adj Part: Knob, RD Adj, 2013 FLOAT CTD Perf And Evol

019-01-018
Socket Set Dog Point [M3 x .5mm x 6mm]

210-15-080
Damp Adj Part: Lever, CD Adj, 2016 Float DPS, 3pos, No Etch



SECTION A-A

FOX Factory, Inc. Ph 831-768-1100
130 Hangar Way, Watsonville, CA 95076 USA Fax 831-768-9312

TITLE
Eyelet Assy: 2017,
FLOAT DPS, 3pos, LV

SIZE DWG. NO.
C 808-17-303-KIT

PLOT SCALE | .50:1 | SHEET 1 OF 2

- PROPRIETARY -
THIS DOCUMENT CONTAINS CONFIDENTIAL, PROPRIETARY INFORMATION
THAT IS FOX PROPERTY. DO NOT DISCLOSE TO OR DUPLICATE
FOR OTHERS EXCEPT AS AUTHORIZED BY FOX.

4

3

2

1

ProE ASSEM