

010-00-057  
Air Valve Parts: Cap, Air Valve [.305-32], Black, 6061

803-01-178  
Air Valve Part: Housing, Tank Valve, DHX2, FloatX2, 2017 DPS

TORQUE:  
35±5 IN LB

029-00-009  
Seals:O-Ring [(-009) .070 C.S. X .208 ID] Standard N674-70, Dynamic

019-02-021  
Set Screw: Custom Dog Point, Radius [M3 x .5mm, .300 TLG], SS

TORQUE:  
TO CAM SHAFT  
AND BACK OFF 3/8 TURN

EYELET

Spring: Detent, 2013 CTD [.190 TLG, .088 ID, 40 lb/in] 17-7 SS

010-01-000  
Ball [Ø 0.1250] Steel

GREASE:  
THIN LAYER  
HIGH TEMP BLUE

029-08-079  
Seals: O-Ring [7.5MM ID x 1.5MM CS] Metric, N-70, Static

029-00-030  
Seals:O-Ring [(-030) .070 C.S. X 1.614 ID] Standard N674-70, Dynamic

GREASE:  
THIN LAYER  
HIGH TEMP BLUE

210-22-630  
Cam: (T) RD Adj, 2013 CTD Factory, [1.535 TLG, .090 Shaft] 416 SS

038-00-096  
Retaining Ring: External, .250 Shaft, Smalley, 2 Turn, 302 SS

210-22-625  
Shim: Spring Retainer 2013 CTD (.250 ID x .370 OD x .035 TH), SS

039-00-244  
Spring: Barrel Wound [9 lb/in, .027 wire, .220 Free Lg] 302 SS

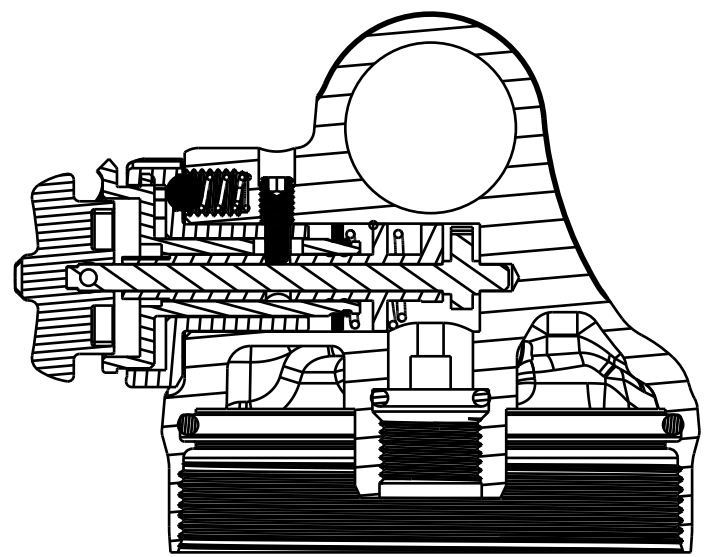
210-30-053  
Cam: CD Adj, 2016 Float DPS-Adj [.372 OD, 1.113 TLG], 416 SS

210-24-190  
Lever: CD Adj, 2017 DPS Factory, AL 6061

210-22-622  
Knob: CD Adj, Trail Setting, 2013 CTD Factory, AL 6061

210-22-620  
Rebound Knob: 2013 Float CTD [.540 OD, .272 TLG] AL 6061

019-01-006  
Fastener, Standard (Metric): Screw [M3 x 4mm] SS Socket Set Cone Point



SECTION A-A  
SCALE 1.500

PROPRIETARY -  
THIS DOCUMENT CONTAINS CONFIDENTIAL, PROPRIETARY INFORMATION  
THAT IS FOX PROPERTY. DO NOT DISCLOSE TO OR DUPLICATE  
FOR OTHERS EXCEPT AS AUTHORIZED BY FOX.

<b>FOX</b> <b>FOX Factory, Inc.</b>		Ph 831-768-1100
130 Hangar Way, Watsonville, CA 95076 USA		Fax 831-768-9312
TITLE	Eyelet Assy: 2017, FLOAT DPS, 3pos-adj, SV, Trunnion	
SIZE	DWG. NO.	808-17-304-KIT
C	PLOT SCALE   .50 : 1	SHEET 1 OF 2