

SECTION A-A

EYELET

241-02-109  
Fastener, Custom: Set Screw, Flanged, M3, 2017 Lockout

039-00-382  
Spring: Torsion, 2014-17 Dish/DPS Remote, [.0071 in-lb/deg], Unplated

210-24-057  
Cable Hanger, 2017 FLOAT DPS, LV Down

019-01-130  
Fastener, Standard (Metric): Thin Head SHCS [M4 x .7, x 8mm] Black Zinc

210-24-151  
Cam: (T) RD Adj, 2017 Float DPS, Remote, LV Down [1.540 TLG, .090 Shaft]

TORQUE:  
5±1 IN.LB

GREASE:  
THIN LAYER  
HIGH TEMP BLUE

NOTE PART IDENTIFICATION GROOVES  
FOR LV DOWN CONFIGURATIONS

GREASE:  
THIN LAYER  
HIGH TEMP BLUE

GREASE:  
THIN LAYER  
HIGH TEMP BLUE

TORQUE:  
35±5 IN.LB.

210-30-071  
Cam: (T) CD Adj, 2017 Float DPS, Remote, 2 Position, LV Down

TORQUE:  
25±5 IN.LB.

TORQUE:  
8±2 IN.LB.

019-01-134  
Set Screw [M4 x .7mm x 4mm] Flat Point, Torx, Black,

210-24-054  
Pulley: 2016 Nude 3 DPS-Remote

019-01-070  
Set Screw [M4 x .7mm x 4mm] , SS

TORQUE:  
START THREAD 2 TURNS

210-24-055  
Rebound Knob: 2014 Scott Evolution

TORQUE:  
5±1 IN.LB.

019-01-006  
Fastener, Standard (Metric): Screw [M3 x 4mm] SS Socket Set Cone Point

010-00-057  
Air Valve Parts: Cap, Air Valve [.305-.32], Black, 6061

802-00-007-KIT  
Air Valve Assy: Slim[M6 X .75, 1.150 TLG]

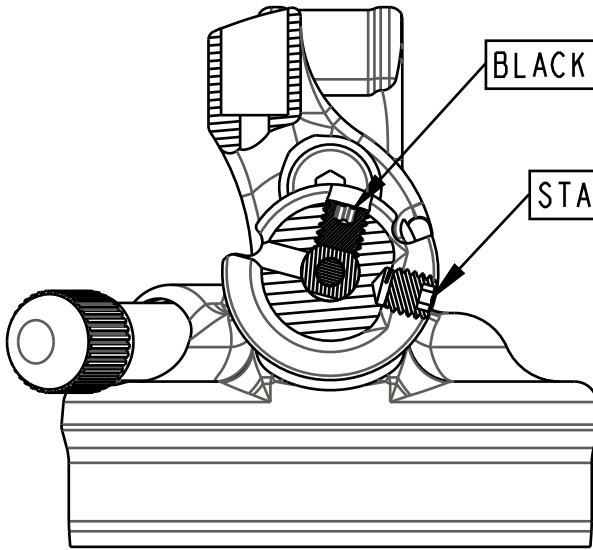
029-08-082  
Seals: O-Ring [5.28mm ID X 1.0mm CS] Metric, N-70, Static

029-08-079  
Seals: O-Ring [7.5MM ID x 1.5MM CS] Metric, N-70, Static

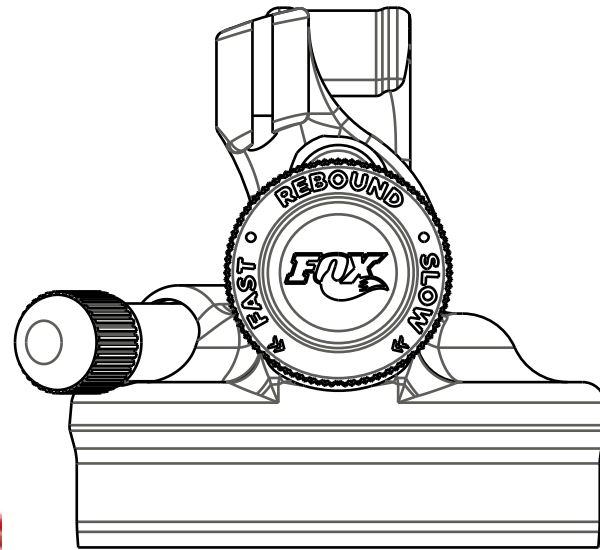
029-00-032  
Seals: O-Ring [(-032) .070 C.S. X 1.864 ID] Standard N674-70, Dynamic

BLACK TORX SET SCREW FIXES PULLEY TO CAM

STAINLESS HEX SET SCREW FIXES CABLE TO PULLEY



EYELET ASSEMBLY,  
FLOAT DPS REMOTE DOWN, LV



PROPRIETARY -  
THIS DOCUMENT CONTAINS CONFIDENTIAL, PROPRIETARY INFORMATION  
THAT IS FOX PROPERTY. DO NOT DISCLOSE TO OR DUPLICATE  
FOR OTHERS EXCEPT AS AUTHORIZED BY FOX.

**FOX** FOX Factory, Inc. Ph 831-768-1100  
130 Hangar Way, Watsonville, CA 95076 USA Fax 831-768-9312

TITLE Eyelet Assy: 2017 FLOAT DPS Remote down, LV (Push-to-Lock)

SIZE DWG. NO. C 808-17-315-KIT

PLOT SCALE | .50 : 1 | SHEET 1 OF 2