

EYELET

241-02-109
Fastener, Custom: Set Screw, Flanged, M3, 2017 Lockout

039-00-382
Spring: Torsion, 2014-17 Dish/DPS Remote, [.0071 in-lb/deg], Unplated

210-24-053
Cable Hanger, 2017 FLOAT DPS, SV & LV Up

019-01-129
Fastener, Standard (Metric): FHCS [M4 x .7, x 8mm] Black Zinc

TORQUE:
8±2 IN.LB.

TORQUE:
25±5 IN.LB.

019-01-134
Set Screw [M4 x .7mm x 4mm] Flat Point, Torx, Black,

210-24-054
Pulley: 2016 Nude 3 DPS-Remote

019-01-070
Set Screw [M4 x .7mm x 4mm], SS

TORQUE:
START THREAD 2 TURNS

210-24-055
Rebound Knob: 2014 Scott Evolution

TORQUE:
5±1 IN.LB.

019-01-006
Fastener, Standard (Metric): Screw [M3 x 4mm] SS Socket Set Cone Point

210-24-150
Cam: (T) RD Adj, 2017 Float DPS, Remote, SV All and LV Up [1.435 TLG, .090 Shaft]

TORQUE:
5±1 IN.LB.

GREASE:
THIN LAYER
HIGH TEMP BLUE

GREASE:
THIN LAYER
HIGH TEMP BLUE

GREASE:
THIN LAYER
HIGH TEMP BLUE

TORQUE:
35±5 IN.LB.

210-30-070
Cam: (T) CD Adj, 2017 Float DPS, Remote, 2 Position, SV All and LV Up

010-00-057
Air Valve Parts: Cap, Air Valve [.305-.32], Black, 6061

803-01-178
Air Valve Part: Housing, Tank Valve, DHX2, FloatX2

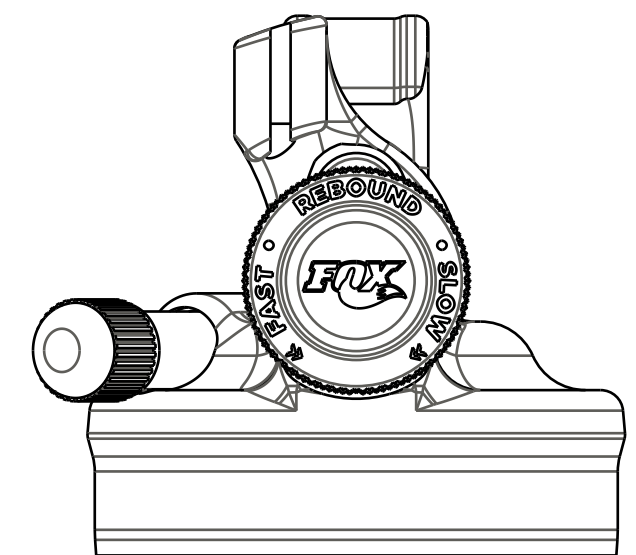
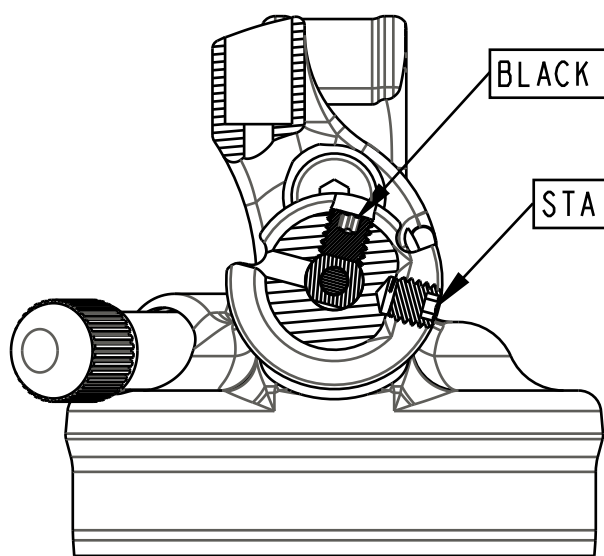
029-00-009-KIT
Seals: O-Ring [(-009) .070 C.S. X .208 ID] Standard N674-70, Dynamic

029-08-079
Seals: O-Ring [7.5MM ID x 1.5MM CS] Metric, N-70, Static

029-00-032
Seals: O-Ring [(-032) .070 C.S. X 1.864 ID] Standard N674-70, Dynamic

BLACK TORX SET SCREW FIXES PULLEY TO CAM

STAINLESS HEX SET SCREW FIXES CABLE TO PULLEY



EYELET ASSEMBLY,
FLOAT DPS REMOTE UP, TRUNNION LV

PROPRIETARY -
THIS DOCUMENT CONTAINS CONFIDENTIAL, PROPRIETARY INFORMATION
THAT IS FOX PROPERTY. DO NOT DISCLOSE TO OR DUPLICATE
FOR OTHERS EXCEPT AS AUTHORIZED BY FOX.

FOX FOX Factory, Inc. Ph 831-768-1100
130 Hangar Way, Watsonville, CA 95076 USA Fax 831-768-9312

TITLE
Eyelet Assy: 2017 FLOAT DPS Remote
up, Trunnion LV (Push-to-Lock)

SIZE DWG. NO. 808-17-318-KIT
C
PLOT SCALE | .50:1 | SHEET 1 OF 2