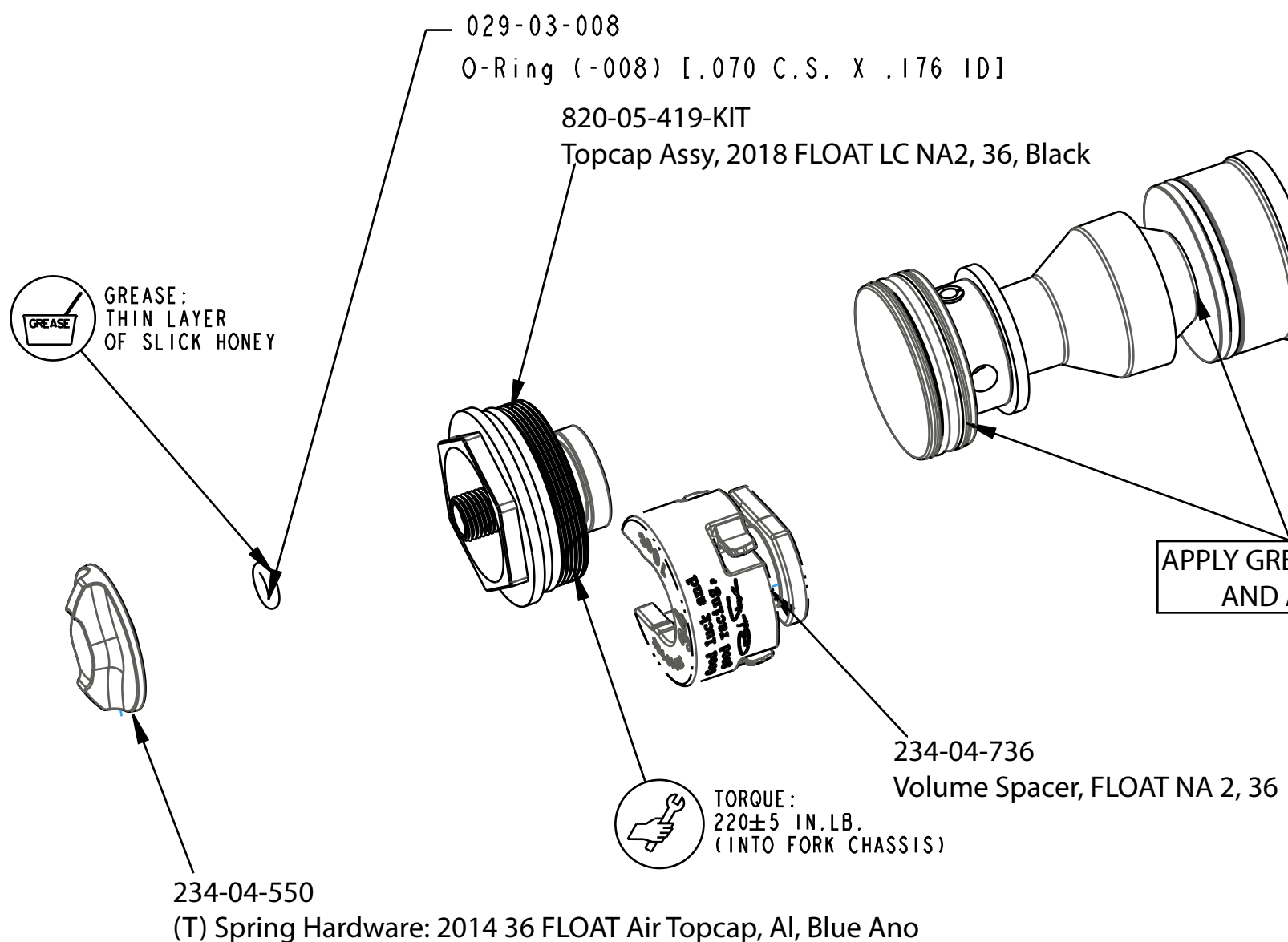
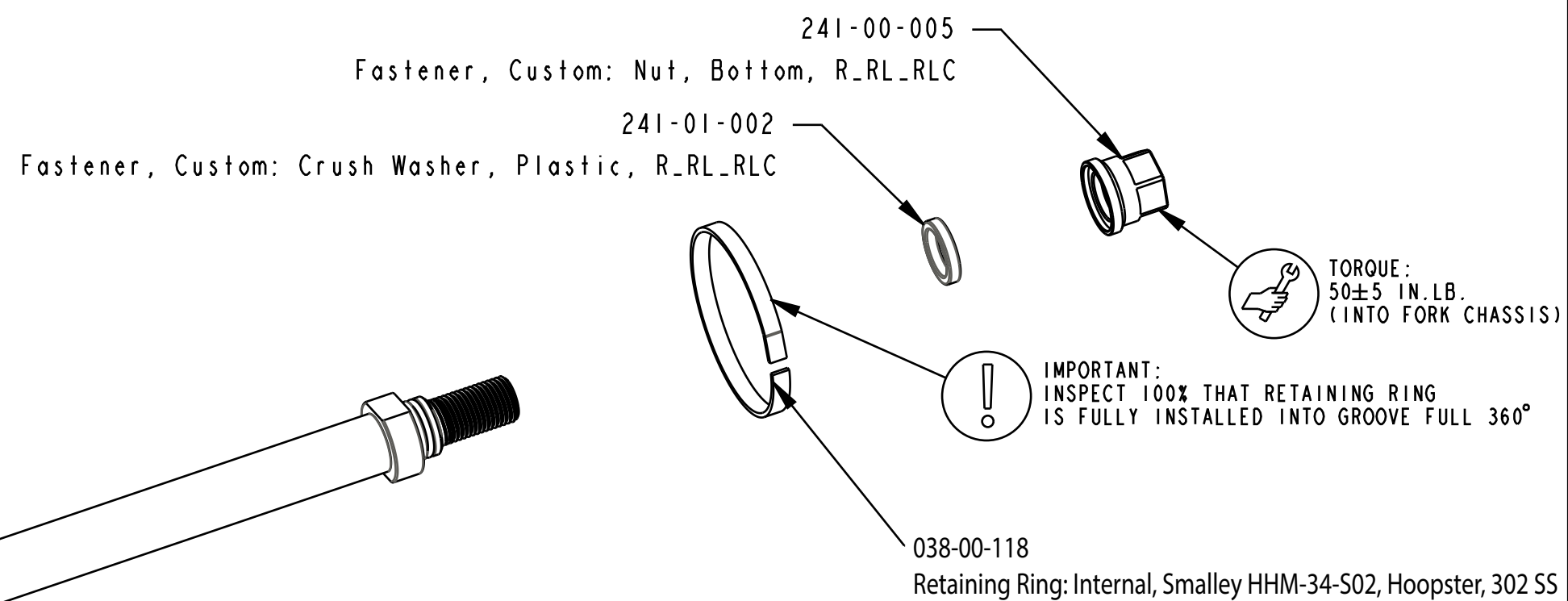
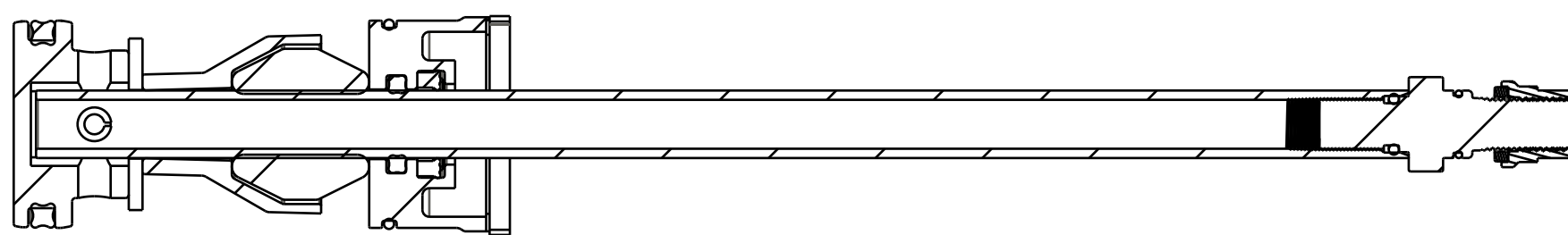
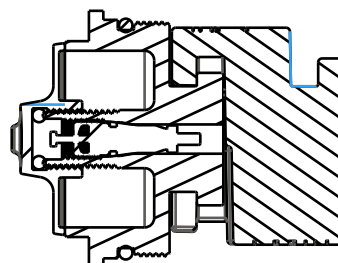


AIR SHAFT ASSEMBLIES:
 820-02-534-KIT: Service Set: Air Shaft Assy, 2019, 36, 180mm, FLOAT LC NA 2, 1.287 Bore, TO Hat
 820-02-535-KIT: Service Set: Air Shaft Assy, 2019, 36, 170mm, FLOAT LC NA 2, 1.287 Bore, TO Hat
 820-02-536-KIT: Service Set: Air Shaft Assy, 2019, 36, 160mm, FLOAT LC NA 2, 1.287 Bore, TO Hat
 820-02-537-KIT: Service Set: Air Shaft Assy, 2019, 36, 150mm, FLOAT LC NA 2, 1.287 Bore, TO Hat
 820-02-538-KIT: Service Set: Air Shaft Assy, 2019, 36, 140mm, FLOAT LC NA 2, 1.287 Bore, TO Hat
 820-02-539-KIT: Service Set: Air Shaft Assy, 2019, 36 831, 100mm, FLOAT LC NA 2, 1.287 Bore, TO Hat



APPLY GREASE AROUND PISTON, ON AIR SHAFT, BETWEEN BUMPER AND NEG PLATE, AND A THIN LAYER ON ENTIRE LENGTH OF PISTON BORE OF UPPER TUBE ID



SECTION A-A

PROPRIETARY - THIS DOCUMENT CONTAINS CONFIDENTIAL, PROPRIETARY INFORMATION THAT IS FOX PROPERTY. DO NOT DISCLOSE TO OR DUPLICATE FOR OTHERS EXCEPT AS AUTHORIZED BY FOX.

FOX Factory, Inc. Ph 831-768-1100
 130 Hangar Way, Watsonville, CA 95076 USA Fax 831-768-9312
 TITLE 2019 36mm FLOAT LC NA2, Top Out Hat, Air Spring Assemblies
 SIZE DWG. NO. C
 PLOT SCALE | .00:1 | SHEET 1 OF 1