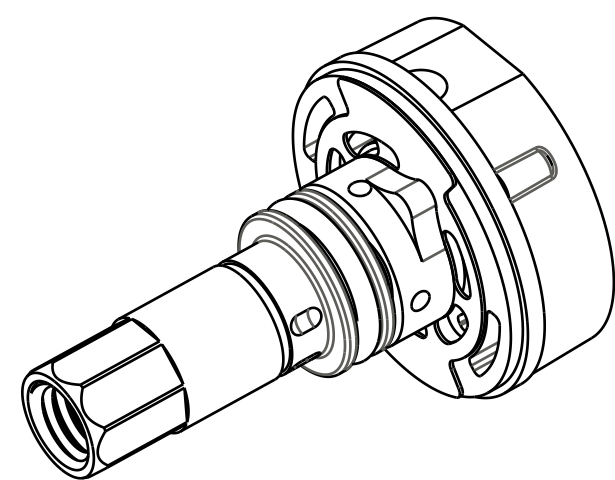


4

3

2

1



210-24-004  
Butterfly Valve, FIT4, Large Tabs

GREASE:  
THIN LAYER  
OF SLICK HONEY

222-01-290  
Piston, Compression, FIT4, Dished, Zinc, Die Cast

210-22-879  
Selector Shaft, FIT4 Damper

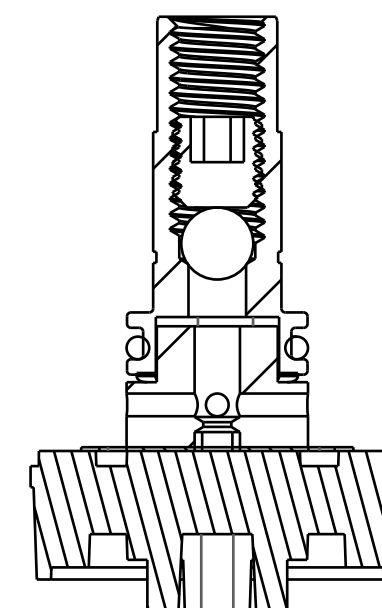
039-00-241  
Spring: Wave [.322 ID x .420 OD, 3 Waves] SS

029-08-041  
Seals: O-Ring [9.0MM ID x 1.5MM CS] Metric, N-70, Dynamic

210-22-916  
SHAFT, COMPRESSION SELECTOR, 2016 P-S FIT4

010-01-001  
Ball [Ø 0.1875] Steel

019-01-107  
Socket Set Screw [M6 x 1.0mm x 6mm] Flat Pt, SST



- PROPRIETARY -  
THIS DOCUMENT CONTAINS CONFIDENTIAL, PROPRIETARY INFORMATION  
THAT IS FOX PROPERTY. DO NOT DISCLOSE TO OR DUPLICATE  
FOR OTHERS EXCEPT AS AUTHORIZED BY FOX.

**FOX** **FOX Factory, Inc.**  
130 Hangar Way, Watsonville, CA 95076 USA Ph 831-768-1100  
Fax 831-768-9312

TITLE  
2016 FIT4 P-S  
TOP CAP PARTS

SIZE DWG. NO.  
**C** 820-03-463-KIT

PLOT SCALE 2.00:1 SHEET 1 OF 1

4

3

2

1

ProE ASSEM