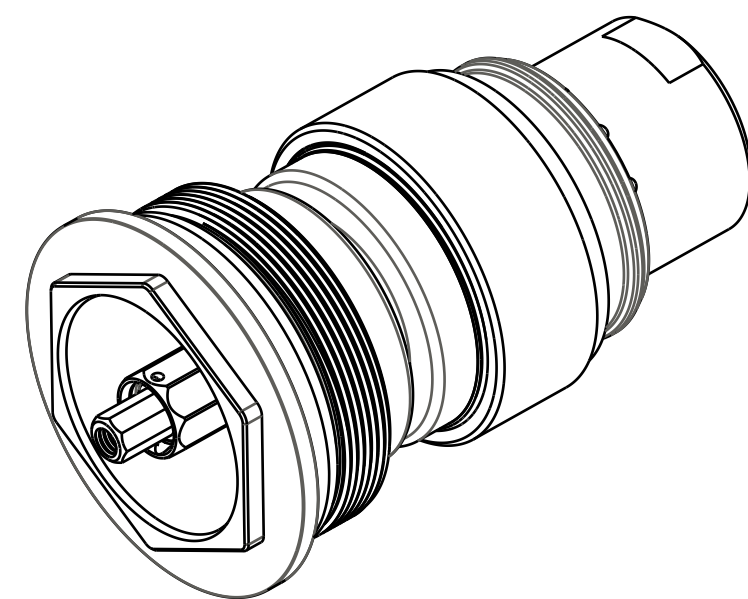


4

3

2

1



Body, Topcap, 40, 2016 RC FIT4, Black Ano

GREASE:
THIN LAYER
OF SLICK HONEY

TORQUE:
75±5 IN.LB.

210-22-926
Compression Clamp, FIT4, 36

TORQUE:
75±5 IN.LB.

GREASE:
THIN LAYER
OF SLICK HONEY

029-03-026-A
Seals:O-Ring [(-026) .070 C.S. X 1.239 ID] Standard, N-70, Static

820-03-471-KIT
2016 FIT4 RC Top Cap Parts

820-03-510-KIT
2017 FIT4 F-S Compression Valving Assy, E16

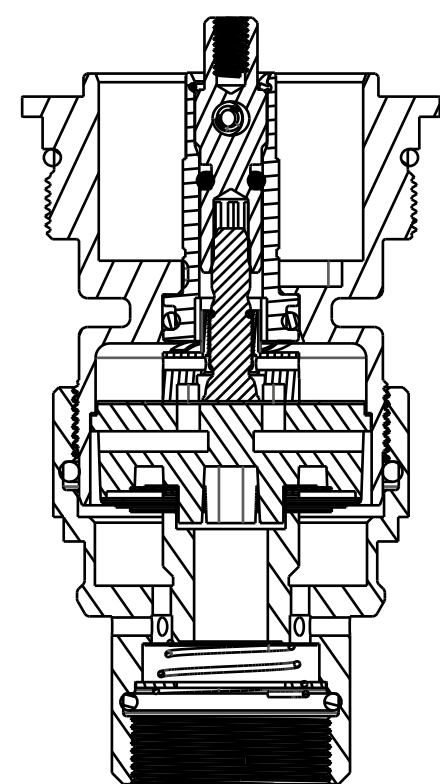
029-03-023
Seals:O-Ring [(-023) .070 C.S. X 1.051 ID] Standard, N-70, Static

044-06-060
Valve: [.600 X .252 X .006]

039-00-205
Spring, Comp. Check

040-20-066
Valve: [0.660 OD X 0.377 ID X 0.020 TH]

029-08-059
Seals: O-Ring [16.5mm ID X 1.5mm CS] Metric, N-70, Static



FOX FOX Factory, Inc. Ph 831-768-1100
130 Hangar Way, Watsonville, CA 95076 USA Fax 831-768-9312

TITLE
2018 40 FIT4 RC Topcap
Assy, E16, Black Ano

SIZE DWG. NO.
C 820-05-457-KIT

PLOT SCALE | .50:1 | SHEET | OF |

- PROPRIETARY -
THIS DOCUMENT CONTAINS CONFIDENTIAL, PROPRIETARY INFORMATION
THAT IS FOX PROPERTY. DO NOT DISCLOSE TO OR DUPLICATE
FOR OTHERS EXCEPT AS AUTHORIZED BY FOX.

4

3

2

ProE ASSEM