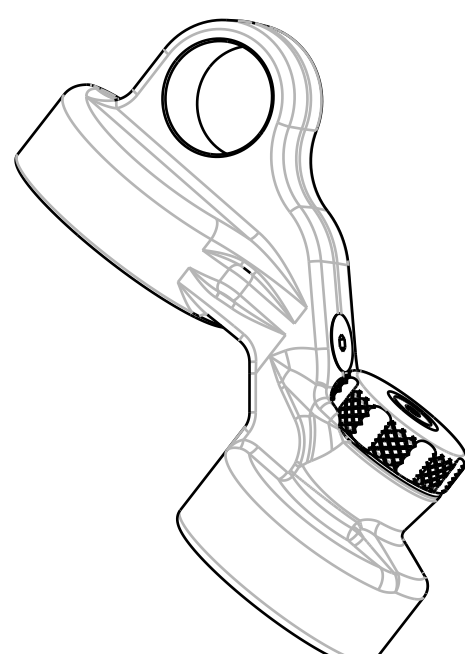


4

3

2

1



Bodycap: Piggyback [1.070 Bore, Ø.500 Shaft] Van RC w/BLEED

(010-01-002)

(039-00-042)

TORQUE:  
7±2 IN.LB.

019-01-049  
Screw [M3 X 6mm] Socket Flat Head, SS w/ Patchlock

210-03-113  
Knob, ProPedal Adjust [.900 OD X .125 ID X .250 TLG]

010-01-002  
Ball [Ø 0.0938] Steel

039-00-042  
Spring: Detent [.13 TLG X .088 X 22 lb/in]

018-01-026  
Screw [#6-32 X .250 TLG]

TORQUE:  
14±2 IN.LB.

029-03-006  
O-Ring (-006) [1.070 C.S. X .114 ID]

GREASE:  
THIN LAYER OF SLICK HONEY  
HI TEMP GREASE (BLUE)

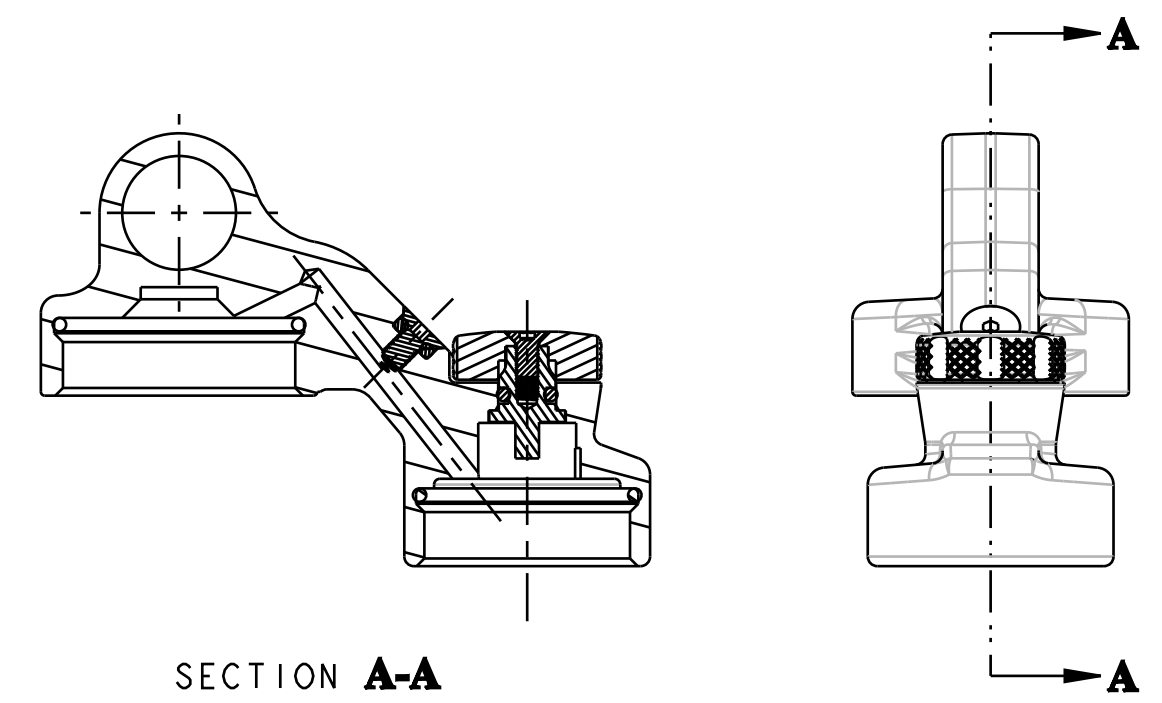
029-03-023  
O-Ring (-023) [1.070 C.S. X 1.051 ID]

029-00-008  
O-Ring (-008) [1.070 C.S. X .176 ID]

GREASE:  
THIN LAYER  
HI TEMP GREASE (BLUE)

029-03-025  
O-Ring (-025) [1.070 C.S. X 1.176 ID]

210-15-067  
Damping Adj. Part: Low Speed, Van RC [7/64 Hex]



SECTION A-A

- PROPRIETARY -  
THIS DOCUMENT CONTAINS CONFIDENTIAL, PROPRIETARY INFORMATION  
THAT IS FOX PROPERTY. DO NOT DISCLOSE TO OR DUPLICATE  
FOR OTHERS EXCEPT AS AUTHORIZED BY FOX.

<b>FOX</b>		<b>FOX Factory, Inc.</b>		Ph 831-768-1100
130 Hangar Way, Watsonville, CA 95076 USA				Fax 831-768-9312
TITLE Body Cap Assy: Piggyback, 2011 VAN RC [1.070 Bore, Ø .500 Shaft]				
SIZE C	DWG. NO. 804-12-008-KIT			
PLOT SCALE 1:1		SHEET 1 OF 1		

4

3

2

ProE ASSEM