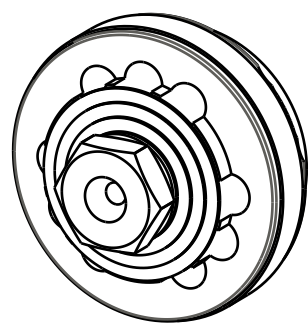


4

3

2

1



050-01-017  
Plate: [.900 OD X .252 ID X .050 TH]

044-04-050  
Valve: [.500 OD X .252 ID X .0045 TH]

044-04-060  
Valve: [.600 OD X .252 ID X .0045 TH]

044-04-070  
Valve: [.700 OD X .252 ID X .0045 TH]

START WITH FOUR (4) VALVES IN THIS LOCATION. 1 OR 2 VALVES MAY BE ADDED OR REMOVED TO GET 13-17 REBOUND POSITIONS. THE EXTREME CLOCKWISE POSITION IS ONE.

(044-06-070)

044-04-080  
Valve: [.800 OD X .252 ID X .0045 TH]

044-06-090  
Valve: [.900 OD X .252 ID X .006 TH]

805-02-015-KIT  
Piston Assy: Damping, RD Adj, 09 VAN R [.940 Bore, .295 TLG] w/ Glyde Ring

044-06-070  
Valve: [.700 OD X .252 ID X .006 TH]

044-06-060  
Valve: [.600 X .252 X .006]

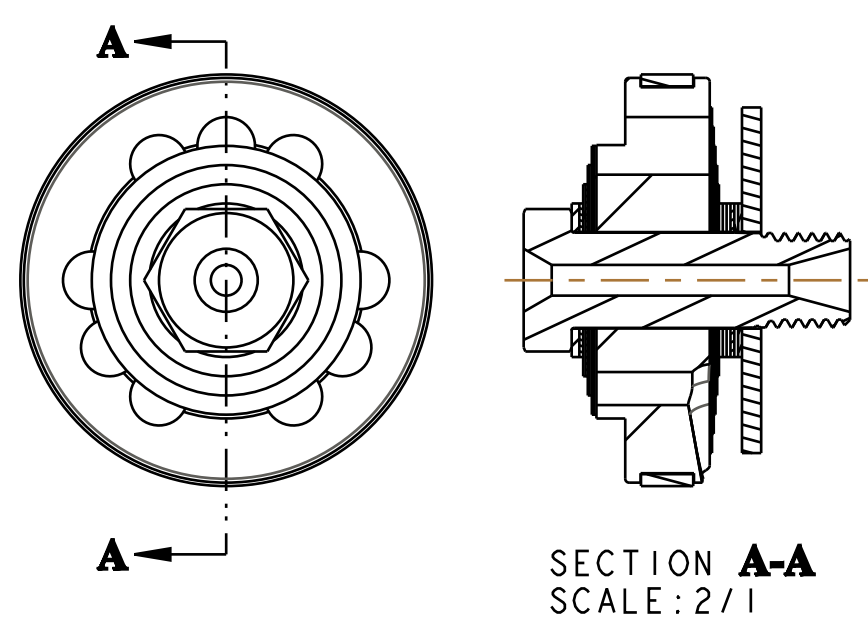
044-04-060  
Valve: [.600 OD X .252 ID X .0045 TH]

044-06-050  
Valve: [.500 OD X .252 ID X .006 TH]

044-10-040  
Valve: [.400 OD X .252 ID X .010 TH]

050-01-011  
Plate: [.400 OD X .252 ID X .020 TH]

210-10-048  
Piston Bolt [.1070 Bore, 0.725 SHLG X 0.080 ID X 0.850 TLG]



SECTION A-A  
SCALE: 2/1

PROPRIETARY - THIS DOCUMENT CONTAINS CONFIDENTIAL, PROPRIETARY INFORMATION THAT IS FOX PROPERTY. DO NOT DISCLOSE TO OR DUPLICATE FOR OTHERS EXCEPT AS AUTHORIZED BY FOX.

		<b>FOX Factory, Inc.</b>	Ph 831-768-1100
		130 Hangar Way, Watsonville, CA 95076 USA	Fax 831-768-9312
TITLE Valving Assy: 2011 VAN R-RC, CL, RL			
SIZE C	DWG. NO. 807-64-023-KIT		
PLOT SCALE 3/2	SHEET 1 OF 1		

4

3

2

ProE ASSEM