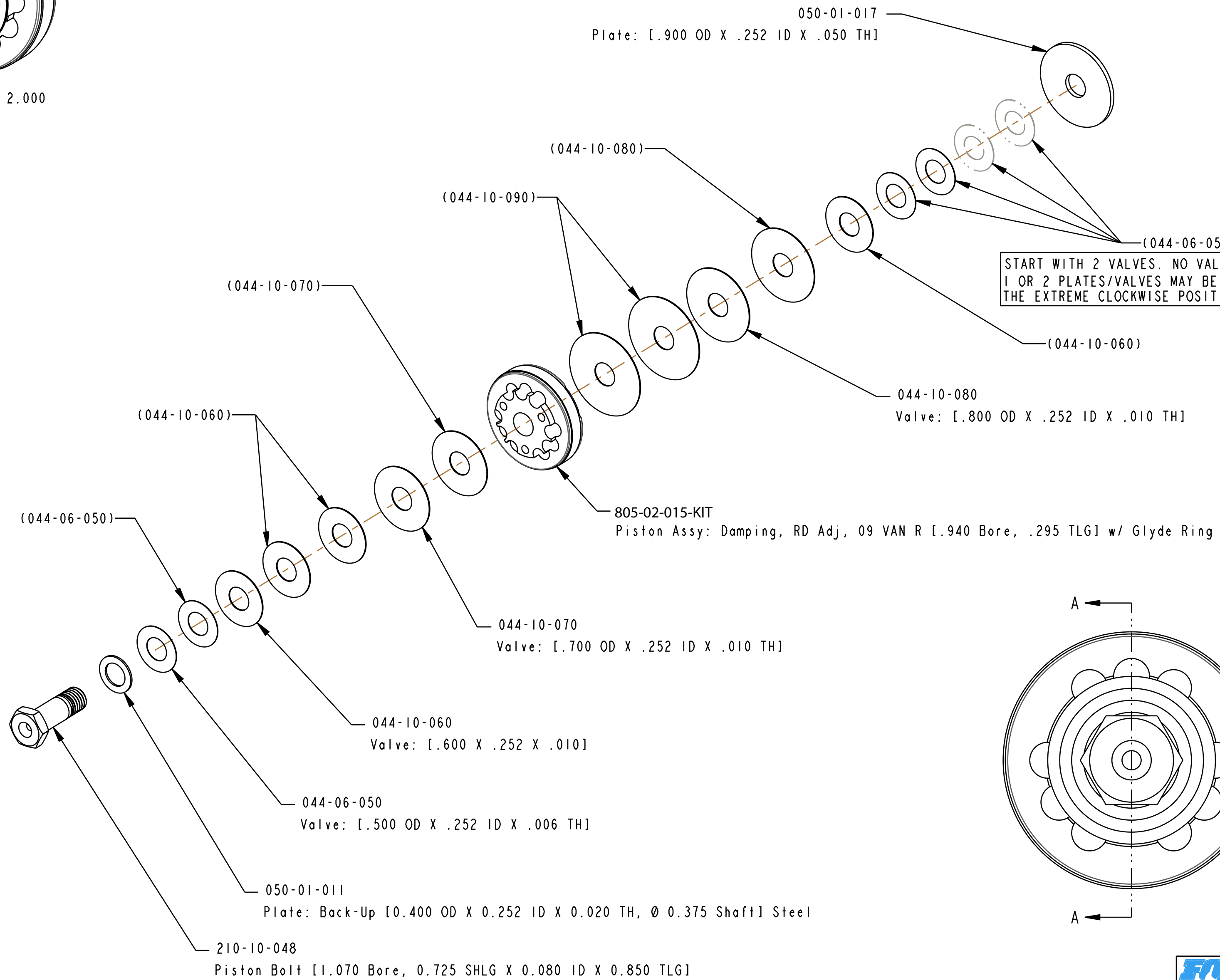
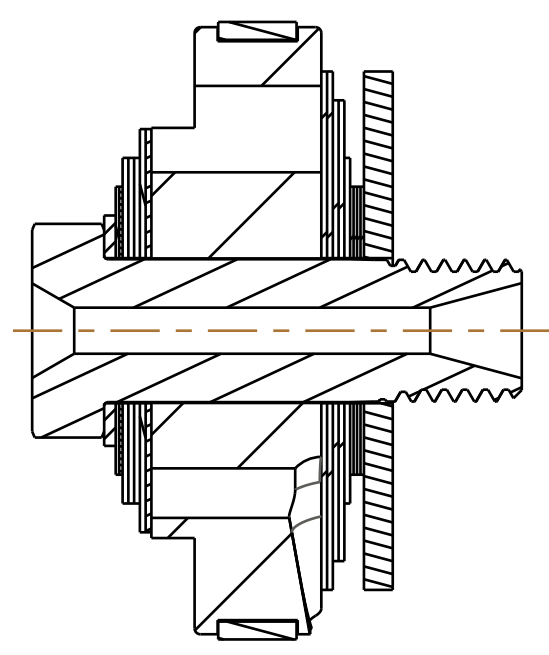
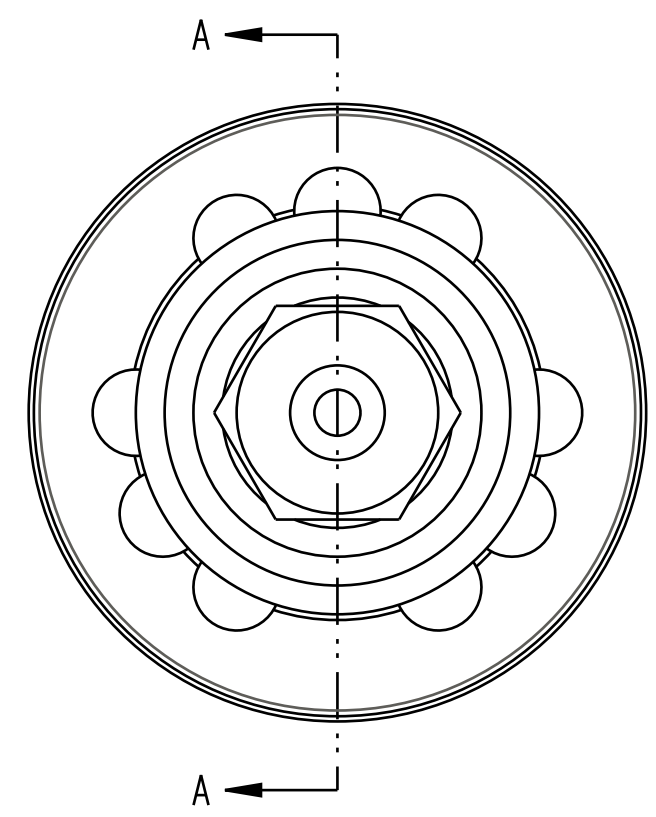


SCALE 2.000



START WITH 2 VALVES. NO VALVES MAY BE REMOVED IN THIS LOCATION. 1 OR 2 PLATES/VALVES MAY BE ADDED TO GET 13-17 REBOUND POSITIONS. THE EXTREME CLOCKWISE POSITION IS ONE.



SECTION A-A
SCALE 3:1

PROPRIETARY - THIS DOCUMENT CONTAINS CONFIDENTIAL, PROPRIETARY INFORMATION THAT IS FOX PROPERTY. DO NOT DISCLOSE TO OR DUPLICATE FOR OTHERS EXCEPT AS AUTHORIZED BY FOX.

FOX Factory, Inc. 130 Hangar Way, Watsonville, CA 95076 USA Ph 831-768-1100 Fax 831-768-9312	
TITLE	Valving Assy: 2015 VAN R/RC, CF4, RM
SIZE DWG. NO.	C 807-64-034-KIT
PLOT SCALE	.25:1
SHEET 1 OF 1	