

4

3

2

1

TOPCAP ASSEMBLIES:
 820-05-512-KIT: 2019 32 SC FIT4 Topcap Assy, Remote U-Cup, 2 Position, Push-Unlock
 820-05-513-KIT: 2019 32 SC FIT4 Topcap Assy, Remote U-Cup, 2 Position, Push-Lock
 820-05-514-KIT: 2019 32 SC FIT4 Topcap Assy, Remote U-Cup, 3 Position

038-01-073
 Retaining Ring: Wire [.280 OD X .024 CS] SS

210-22-920
 Compression Adjust Coupler, F-S, FIT4

TORQUE:
 55±5 IN LBS

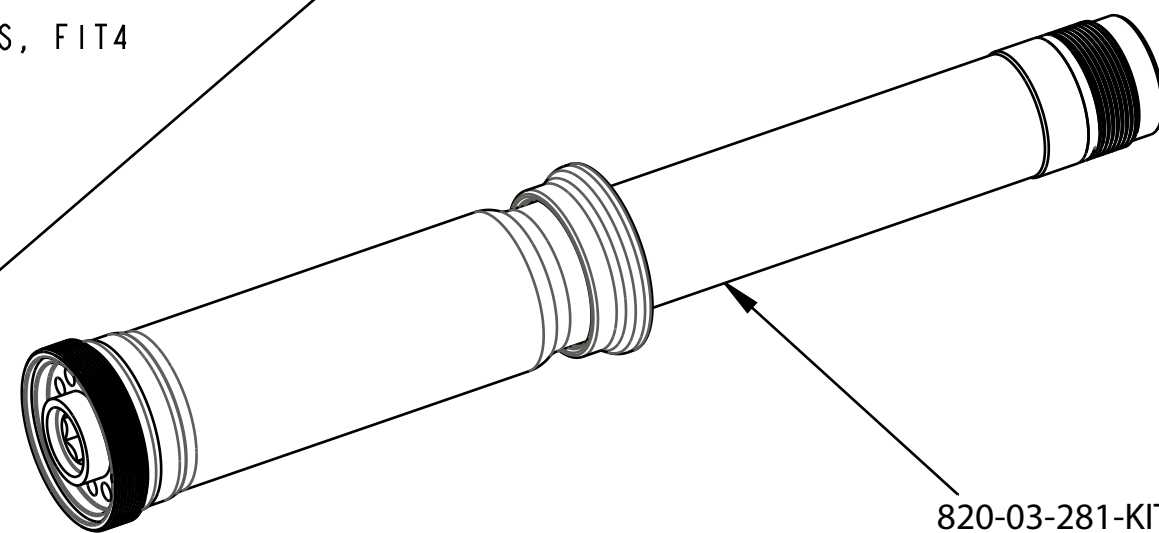
029-08-068
 Seals: O-Ring [3.0MM ID x 1.5MM CS] Metric, N-70, Static

039-00-243
 Spring: Detent [.138 TLG, .087 OD, 48 lb/in]

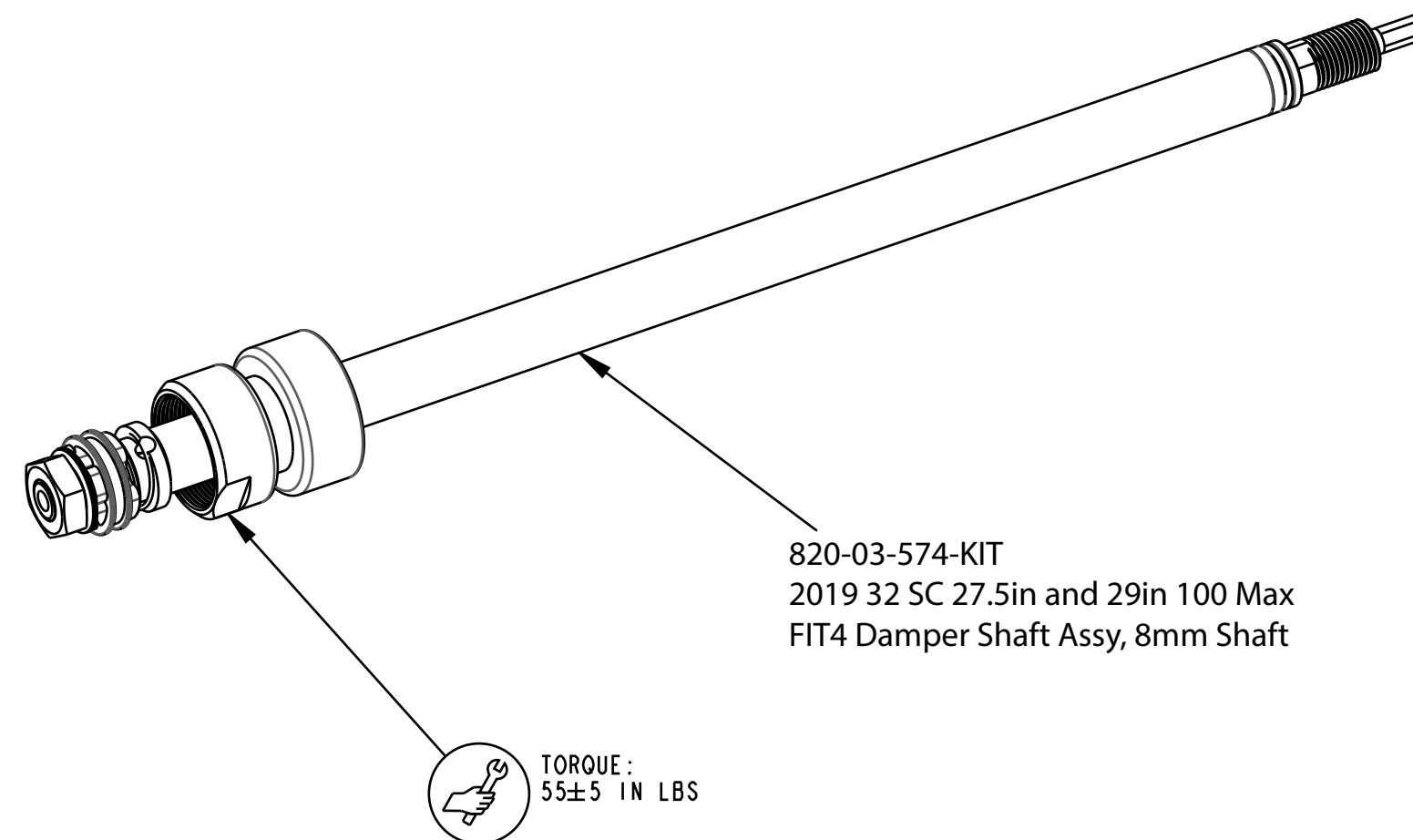
010-01-012
 Ball [Ø.1094]

GREASE:
 THIN LAYER OF
 SLICK HONEY ON BALL

ASSEMBLE THESE PARTS AFTER OIL FILL

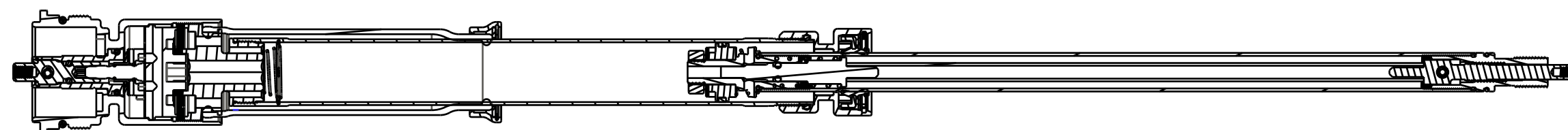


820-03-281-KIT
 2017 32 27.5in and 29in 80-100 FIT4 Lightweight, Bladder Assy



820-03-574-KIT
 2019 32 SC 27.5in and 29in 100 Max
 FIT4 Damper Shaft Assy, 8mm Shaft

TORQUE:
 55±5 IN LBS



SECTION A-A
 SCALE 0.750

PROPRIETARY
 THIS DOCUMENT CONTAINS CONFIDENTIAL, PROPRIETARY INFORMATION
 THAT IS FOX PROPERTY. DO NOT DISCLOSE TO OR DUPLICATE
 FOR OTHERS EXCEPT AS AUTHORIZED BY FOX.

FOX FOX Factory, Inc. Ph 831-768-1100
 130 Hangar Way, Watsonville, CA 95076 USA Fax 831-768-9312

TITLE
 2019 32 SC 100 Max FIT4,
 Remote Cartridge Assemblies

SIZE DWG. NO.

C

PLOT SCALE 1.0:1

SHEET 1 OF 1

ProE ASSEM

4

3

2

1