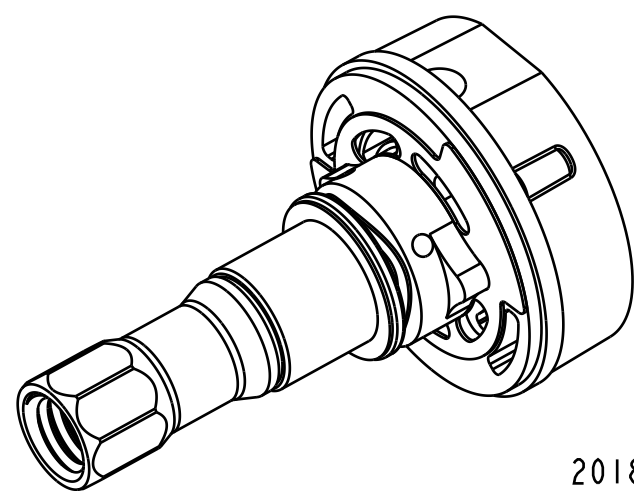


4

3

2

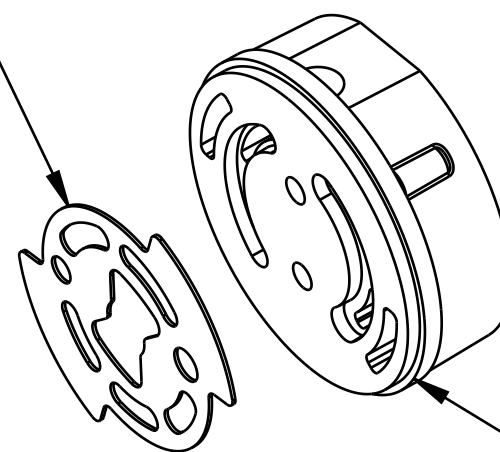
1



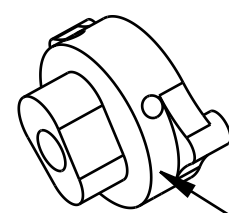
2018 FIT4 Remote, Butterfly Valve, Large Tabs, U-Cup, Push-Unlock

ENSURE SLOT ON BUTTERFLY VALVE (210-24-370) LINE UP WITH HOLES ON COMPRESSION PISTON (222-01-290)

210-24-370



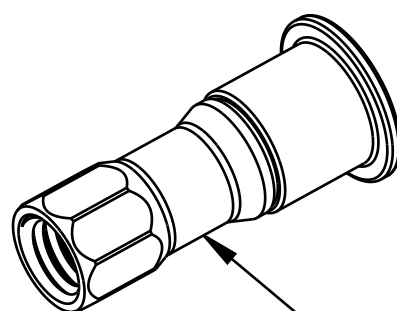
222-01-290
Piston, Compression, FIT4, Dished, Zinc, Die Cast



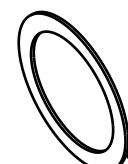
210-22-879
Selector Shaft, FIT4 Damper



039-00-241
Spring: Wave [.322 ID x .420 OD, 3 Waves] SS



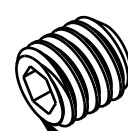
210-24-316
Shaft, Compression Selector, FIT4, Remote, U-Cup



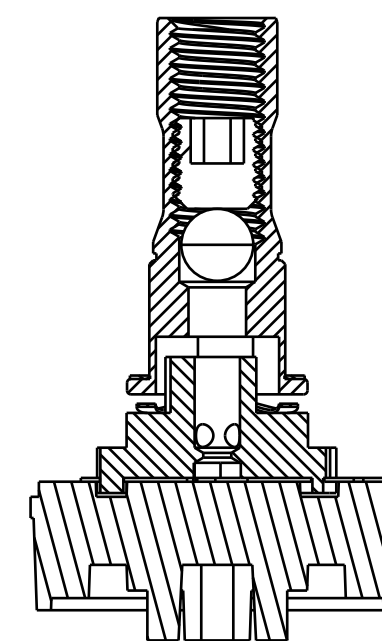
210-24-316
Bearing, Thrust, Teflon, FIT4, Selector Shaft, 2018



010-01-001
Ball [Ø 0.1875] Steel



019-01-107
Socket Set Screw [M6 x 1.0mm x 6mm] Flat Pt, SST



FOX FOX Factory, Inc. Ph 831-768-1100
130 Hangar Way, Watsonville, CA 95076 USA Fax 831-768-9312

TITLE
2018 FIT4 P-S Top Cap Parts,
Remote, U-Cup, P-Unlock

SIZE DWG. NO. 820-03-541-KIT
C PLOT SCALE 2.00:1 SHEET 1 OF 1

PROPRIETARY
THIS DOCUMENT CONTAINS CONFIDENTIAL, PROPRIETARY INFORMATION
THAT IS FOX PROPERTY. DO NOT DISCLOSE TO OR DUPLICATE
FOR OTHERS EXCEPT AS AUTHORIZED BY FOX.

4

3

2

1

ProE ASSEM