

Seals: O-Ring [16.5mm ID X 1.5mm CS] Metric, N-70, Static

039-00-205  
Spring, Comp. Check

044-06-060  
Valve: [.600 X .252 X .006]

GREASE:  
THIN LAYER  
OF SLICK HONEY

040-20-066  
Valve: [0.660 OD X 0.377 ID X 0.020 TH]

210-22-877  
Reflow Cap, FIT 4

OIL:  
THIN LAYER OF FOX R3 DAMPER OIL  
P/N 025-06-002 ON OD AND ID

IMPORTANT:  
NOTE ORIENTATION  
OF SPRING

210-22-887  
Bladder Seal Ring Lower, FIT4

TORQUE:  
55±5 IN.LB.

210-22-303  
Bladder, 010 RL\_RLC

038-00-063  
RING: INTERNAL SMALLLEY (VH-100-S02)

GREASE:  
THIN LAYER  
OF SLICK HONEY

210-22-997  
Compression Piston Clamp, FIT4

210-22-996  
Shaft: Coupler, 0.375" OD X 0.254" ID, 7075-T6, FIT4

IMPORTANT:  
MAKE SURE  
IS FULLY SEATED

GREASE:  
THIN LAYER  
OF SLICK HONEY

029-03-020  
O-Ring (-020) [.070 C.S. X .864 ID]

IMPORTANT:  
DO NOT SEAT UNTIL  
ENTIRE CART. IS TORQUED

210-22-886  
Bladder Seal Ring Upper, FIT4

TORQUE:  
75±5 IN.LB.  
COMPRESSION CLAMP INTO TOPCAP ONLY

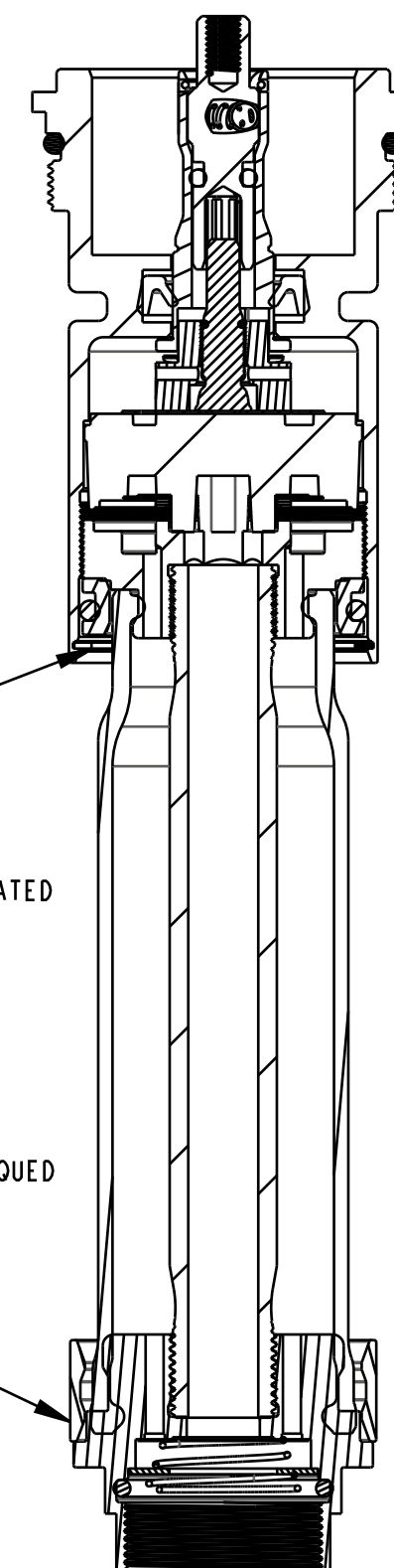
820-03-461-KIT  
2016 FIT4 P-S Compression Valving Assy

820-03-541-KIT  
2018 FIT4 P-S Top Cap Parts, Remote, U-Cup, Push-Unlock

036-01-093  
Seals: U-cup, Low Friction, 9mm Shaft

029-03-024-A  
Seals: O-Ring [(-024) .070 C.S. X 1.114 ID] Standard, N-70, Static

Body, Topcap, 34, FIT4 Remote, U-Cup



SECTION A-A  
SCALE 1.500

**FOX** FOX Factory, Inc. Ph 831-768-1100  
130 Hangar Way, Watsonville, CA 95076 USA Fax 831-768-9312

TITLE  
2018 34 FIT4 P-S Topcap Assy,  
Remote, U-Cup, 2 Position, Push-Unlock

SIZE DWG. NO.  
C 820-05-483-KIT

PLOT SCALE | .00 : 1 | SHEET | OF | 1

PROPRIETARY  
THIS DOCUMENT CONTAINS CONFIDENTIAL, PROPRIETARY INFORMATION  
THAT IS FOX PROPERTY. DO NOT DISCLOSE TO OR DUPLICATE  
FOR OTHERS EXCEPT AS AUTHORIZED BY FOX.