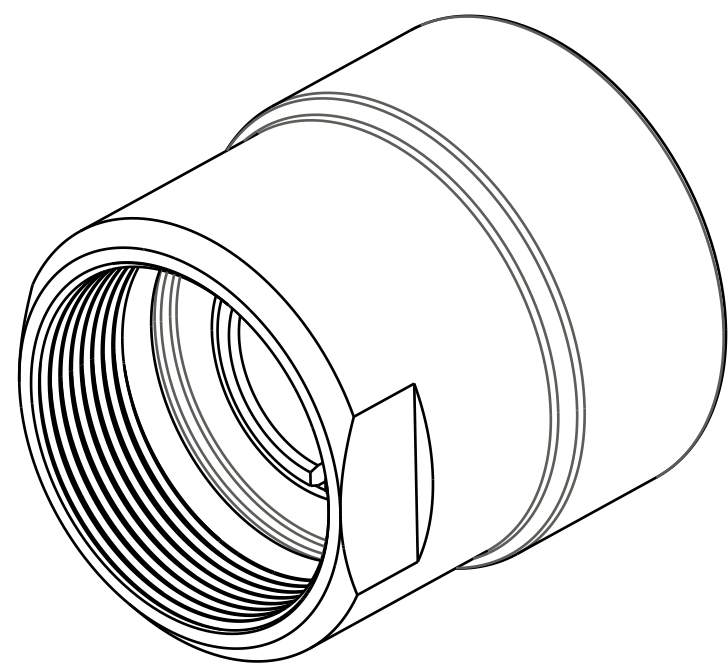


4

3

2

1



Bearing: Internal [0.394 ID X 0.197 TLG X 0.040 WTH, 10mm Shaft] Ekonol/AL

Retaining Ring: Smalley, FH-020-S02

043-20-070  
Valve: [0.740 OD X 0.565 ID X 0.020 TH]

036-02-094  
10mm FIT SKF Sealhead Seal

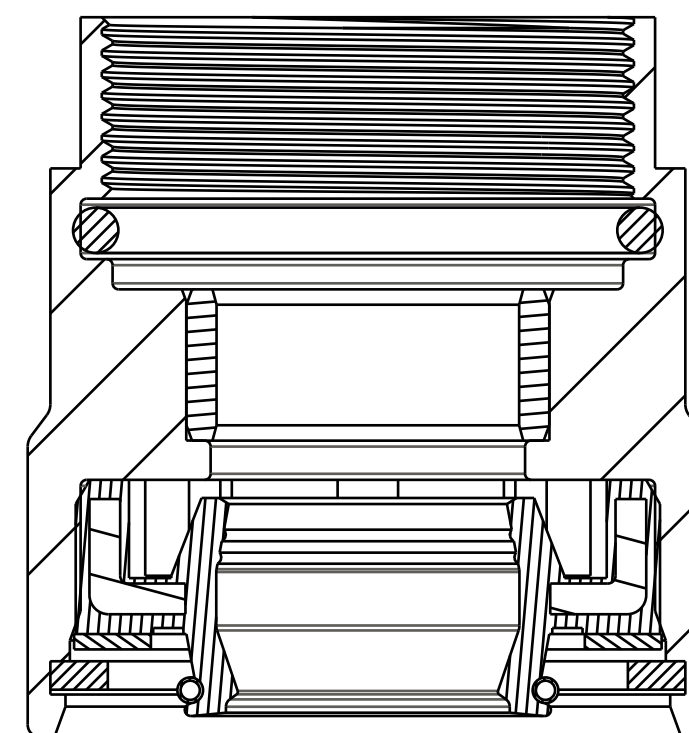
! IMPORTANT:  
ENSURE RETAINING RING IS FULLY  
SEATED INTO GROOVE FULL 360°

GREASE:  
THIN LAYER  
OF SLICK HONEY

! IMPORTANT:  
NOTE SEAL  
ORIENTATION

Seal Cap, FIT4, Stepped

029-08-059  
Seals: O-Ring [16.5mm ID X 1.5mm CS] Metric, N-70, Static



SECTION A-A  
SCALE 4.000

**FOX** **FOX Factory, Inc.** Ph 831-768-1100  
130 Hangar Way, Watsonville, CA 95076 USA Fax 831-768-9312

TITLE  
Sealhead Assy  
2016 FIT4

SIZE DWG. NO.  
**C** 820-03-464-KIT

PLOT SCALE 3.00:1 SHEET 1 OF 1

- PROPRIETARY -  
THIS DOCUMENT CONTAINS CONFIDENTIAL, PROPRIETARY INFORMATION  
THAT IS FOX PROPERTY. DO NOT DISCLOSE TO OR DUPLICATE  
FOR OTHERS EXCEPT AS AUTHORIZED BY FOX.

4

3

2

1