

4

3

2

1

D

D

C

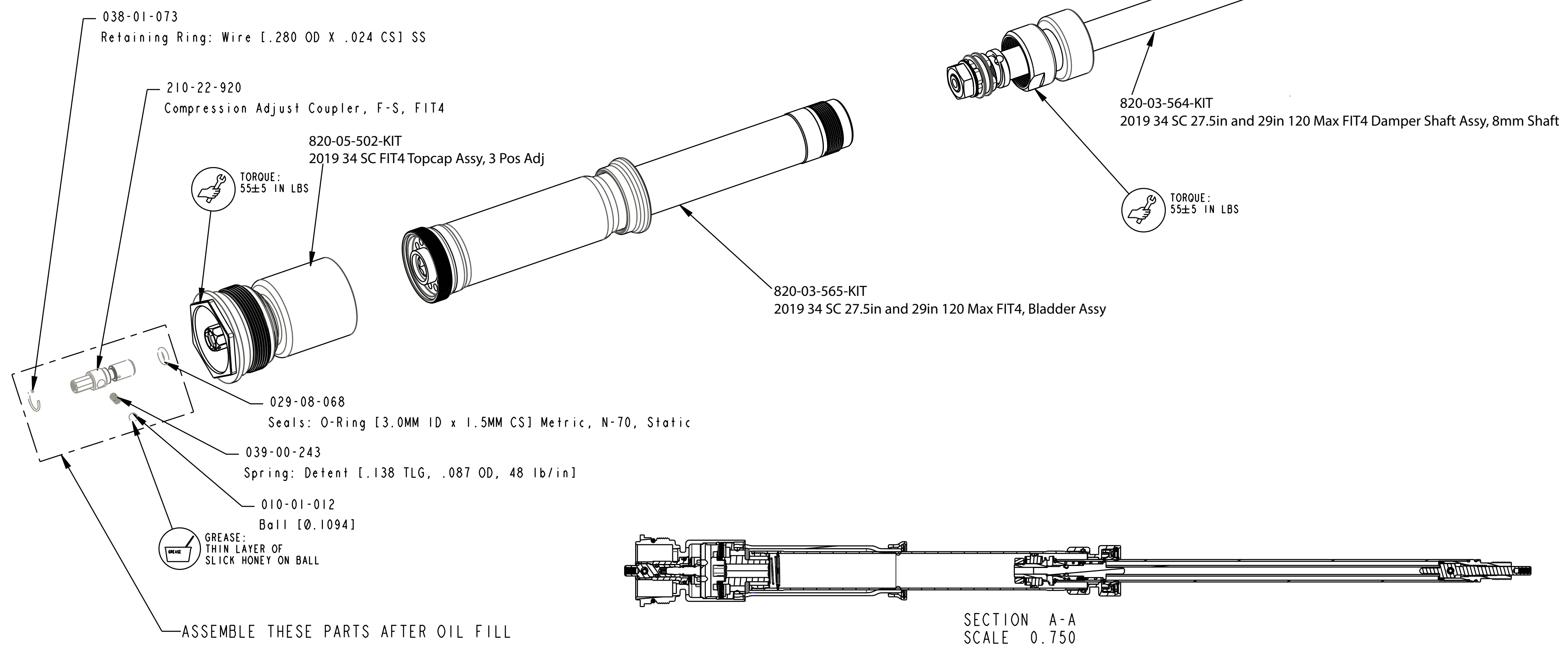
C

B

B

A

A



PROPRIETARY  
 THIS DOCUMENT CONTAINS CONFIDENTIAL, PROPRIETARY INFORMATION  
 THAT IS FOX PROPERTY. DO NOT DISCLOSE TO OR DUPLICATE  
 FOR OTHERS EXCEPT AS AUTHORIZED BY FOX.

|            |   |   |                  |
|------------|---|---|------------------|
|            |   | <b>FOX Factory, Inc.</b>                  | Ph 831-768-1100  |
|            |   | 130 Hangar Way, Watsonville, CA 95076 USA | Fax 831-768-9312 |
| TITLE      | <b>2019 34 SC F-S FIT4<br/>Cartridge Assembly</b> |   |                  |
| SIZE       | DWG. NO.  |   |                  |
| <b>C</b>   |   |   |                  |
| PLOT SCALE | 1.0:1   | SHEET 1 OF 1                              |                  |

4

3

2

1