

4

3

2

1

D

D

C

C

B

B

A

A

TOPCAP ASSEMBLIES:
 820-05-503-KIT: 2019 34 SC FIT4 Topcap Assy, Remote U-Cup, 2 Pos Adj, Push-Unlock
 820-05-504-KIT: 2019 34 SC FIT4 Topcap Assy, Remote U-Cup, 2 Pos Adj, Push-Lock
 820-05-505-KIT: 2019 34 SC FIT4 Topcap Assy, Remote U-Cup, 3 Pos Adj, Push-Lockm

038-01-073
 Retaining Ring: Wire [.280 OD X .024 CS] SS

210-22-920
 Compression Adjust Coupler, F-S, FIT4

TORQUE:
 55±5 IN LBS

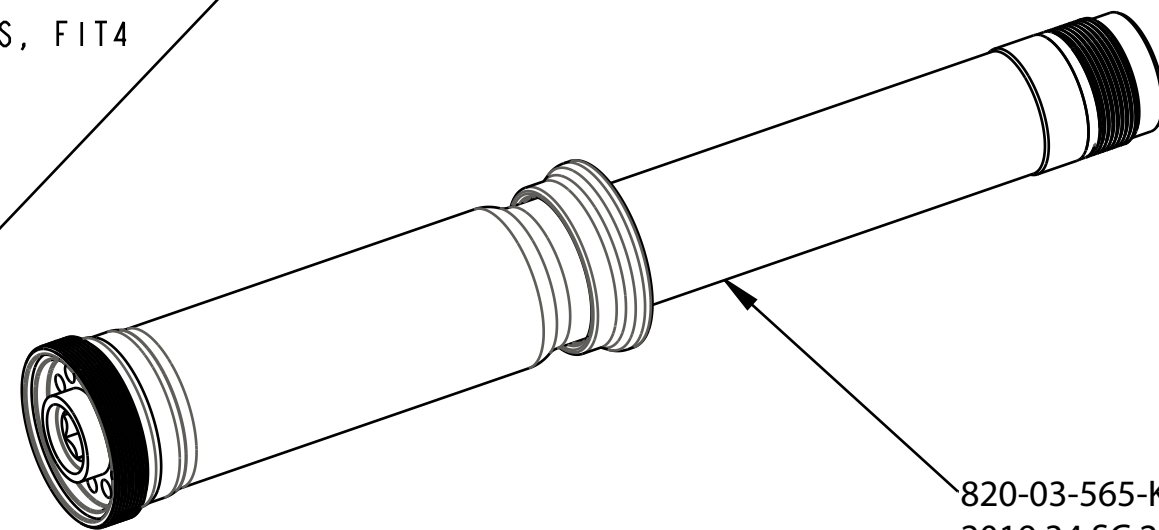
029-08-068
 Seals: O-Ring [3.0MM ID x 1.5MM CS] Metric, N-70, Static

039-00-243
 Spring: Detent [.138 TLG, .087 OD, 48 lb/in]

010-01-012
 Ball [Ø.1094]

GREASE:
 THIN LAYER OF
 SLICK HONEY ON BALL

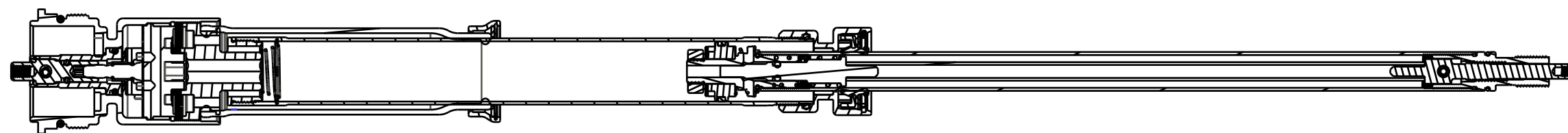
ASSEMBLE THESE PARTS AFTER OIL FILL



820-03-565-KIT
 2019 34 SC 27.5in and 29in 120 Max FIT4, Bladder Assy

820-03-564-KIT
 2019 34 SC 27.5in and 29in 120 Max FIT4 Damper Shaft Assy, 8mm Shaft

TORQUE:
 55±5 IN LBS



SECTION A-A
 SCALE 0.750

PROPRIETARY -
 THIS DOCUMENT CONTAINS CONFIDENTIAL, PROPRIETARY INFORMATION
 THAT IS FOX PROPERTY. DO NOT DISCLOSE TO OR DUPLICATE
 FOR OTHERS EXCEPT AS AUTHORIZED BY FOX.

FOX FOX Factory, Inc. Ph 831-768-1100
 130 Hangar Way, Watsonville, CA 95076 USA Fax 831-768-9312

TITLE
2019 34 SC F-S FIT4
Remote Cartridge Assemblies

SIZE DWG. NO.

C

PLOT SCALE 1.0:1

SHEET 1 OF 1

4

3

2

ProE ASSEM