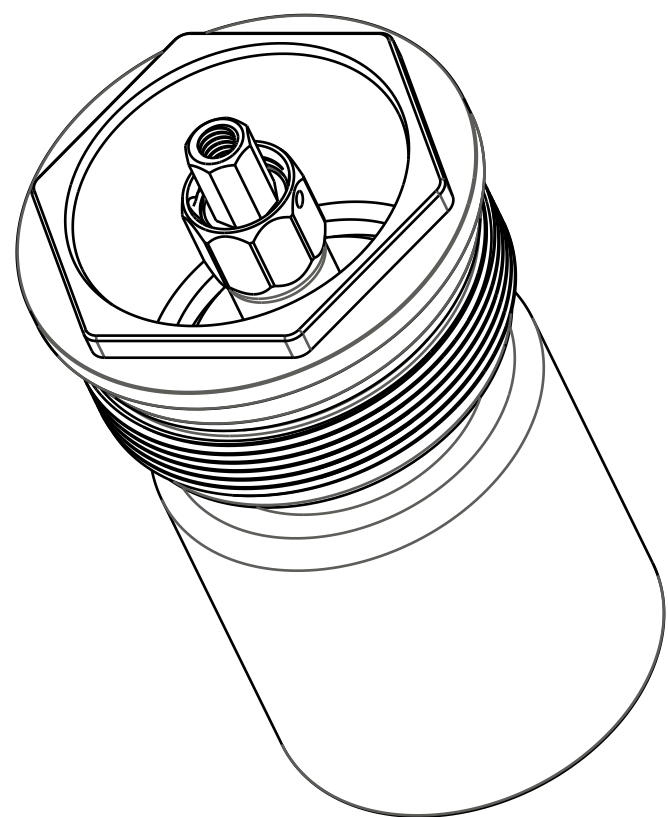


4

3

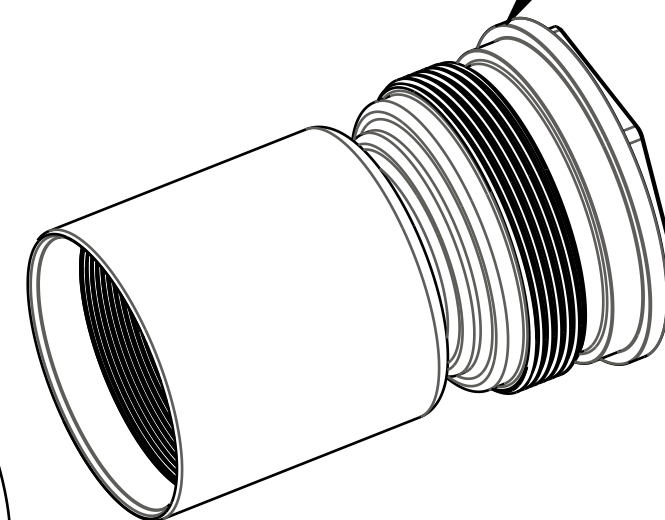
2

1



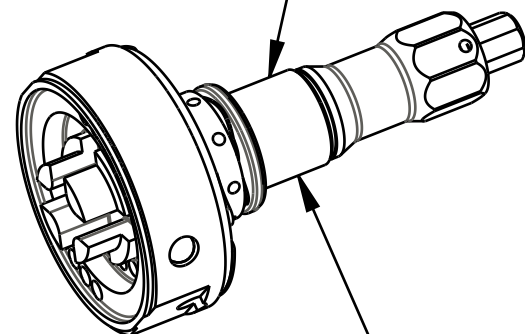
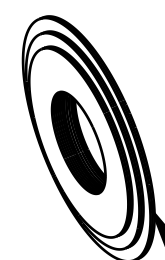
Body, Topcap, 34, 2019 FIT4 Lightweight, U-Cup

GREASE:
THIN LAYER
OF SLICK HONEY



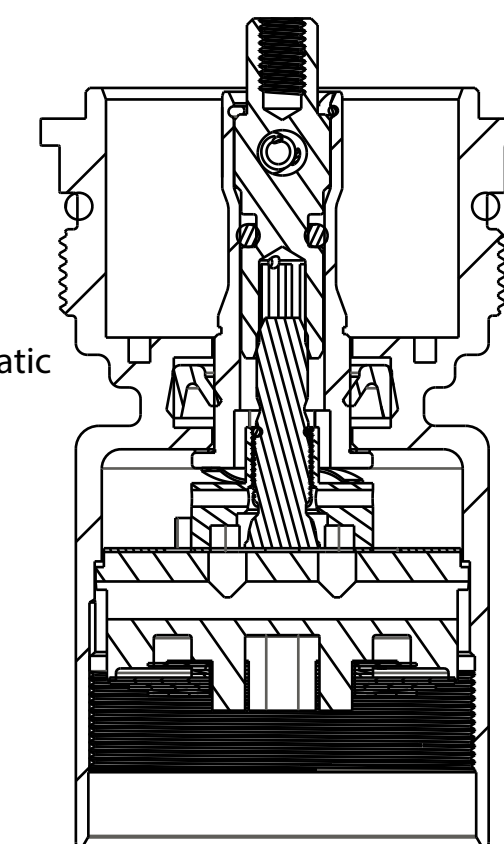
029-03-024-A
Seals: O-Ring [(-024) .070 C.S. X 1.114 ID] Standard, N-70, Static

036-01-093
Seals: U-cup, Low Friction, 9mm Shaft



820-03-575-KIT
2019 FIT4 SC Compression Valving Assy, 8mm Shaft

TOPCAP PARTS:
820-03-542-KIT: 2018 FIT4 Lightweight F-S Top Cap Parts, Remote, U-Cup, Push-Unlock
820-03-539-KIT: 2018 FIT4 Lightweight F-S Top Cap Parts, Remote, U-Cup, Push-Lock
820-03-534-KIT: 2018 FIT4 Lightweight F-S Top Cap Parts, Remote, U-Cup



- PROPRIETARY -
THIS DOCUMENT CONTAINS CONFIDENTIAL, PROPRIETARY INFORMATION
THAT IS FOX PROPERTY. DO NOT DISCLOSE TO OR DUPLICATE
FOR OTHERS EXCEPT AS AUTHORIZED BY FOX.

		FOX Factory, Inc.	Ph 831-768-1100
		130 Hangar Way, Watsonville, CA 95076 USA	Fax 831-768-9312
TITLE		2019 34 SC F-S FIT4	
		Remote Topcap Assemblies	
SIZE	DWG. NO.		
C			
PLOT SCALE .50 : 1		SHEET OF	