

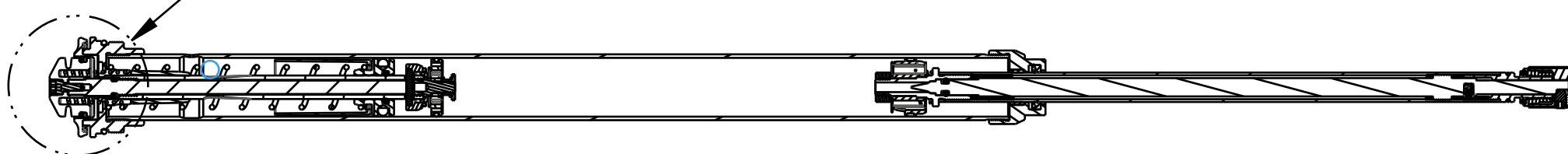
4

3

2

1

SEE DETAIL A



SECTION A-A
SCALE 0.500

BOTTOM STUD INTERFACE PARTS PICTURED ARE NOT FOR 34 SC HOWEVER THE PART NUMBERS ARE CORRECT

Fastener, Standard (Metric): Screw [M2.5 X 6mm] Socket Head Cap, Stainless

REFERENCE ONLY (FOR INSTALLATION INTO FORK)

TORQUE: 50±5 (IN-LB)

LOCTITE: BLUE 242 OF 243 ONE DROP

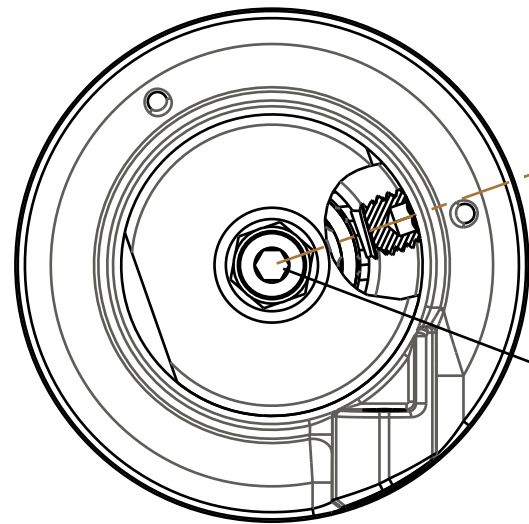
TORQUE: 5.0±0.5 IN.LB.

REBOUND KNOBS:
210-24-367: Knob: Rebound Adj, Extruded, 2019 FIT4 Lightweight, 34, 29in
210-24-375: Knob: Rebound Adj, Extruded, 2019 FIT4 Lightweight, 34, 27.5in

241-00-005
Fastener, Custom: Nut, Bottom, R_RL_RLC

BOTTOM STUD INTERFACE PARTS:
820-05-506-KIT: 2019 34 SC Bottom Stud Interface Parts, 29in Fork
820-05-507-KIT: 2019 34 SC Bottom Stud Interface Parts, 27.5in Fork

241-01-002-C
Fastener, Custom: Crush Washer, Plastic, R_RL_RLC



WHEN LOCKED OUT, SET SCREW MUST BE 20°-60° FROM CABLE BOSS (AT 6 IN-LB).

SECTION C-C

TORQUE: NEEDLE TO 3.5±.25 IN-LB BEFORE INSTALLING REMOTE ASSEMBLY TORQUE TO 1.5 IN-LB FOR CARTRIDGE DYNO

820-05-445-KIT
2018 Grip Remote, Topcap Interface Parts

210-24-285
Cable Pulley Remote, Grip

CARTRIDGE ASSY

TORQUE: 220±5 IN.LB.

REFERENCE ONLY (FOR INSTALLATION INTO FORK)

210-24-259
Damping Adjust Part: Housing, Remote, Hubless, FIT4

039-00-404
Spring: Torsion, Remote, 2018 Grip

TORQUE: 6±1 IN.LB.

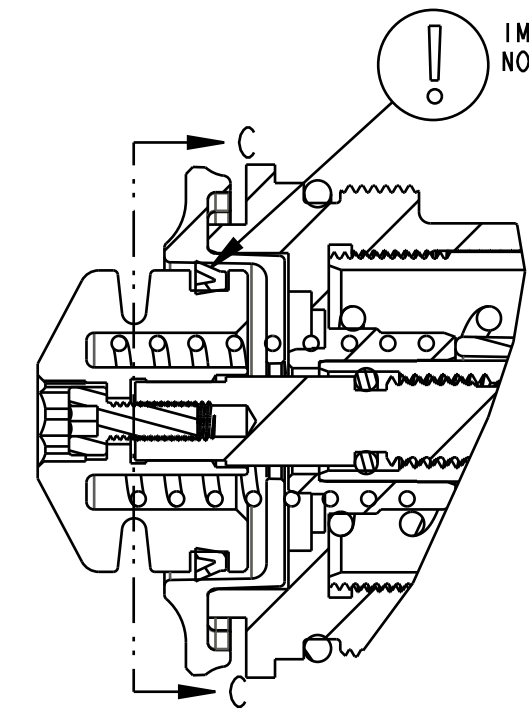
GREASE: THIN LAYER BLUE MARINE GREASE ID AND OD

036-01-044
Seals: U-Cup, Shore 70A, 2013 CTD-ADJ, Remote Fit-CTD and Remote O/C-CTD

019-01-140
Fastener: Custom (Metric): Socket Set Screw [M4 x .7mm x 3mm], SST, Patchlock

019-01-115
Fastener Standard (Metric): Screw, Socket Head, M2.5 X 8

IMPORTANT: NOTE SEAL ORIENTATION



DETAIL A
SCALE 2.000

FOX Factory, Inc. Ph 831-768-1100
130 Hangar Way, Watsonville, CA 95076 USA Fax 831-768-9312

TITLE **2019 34 SC Grip Remote Cartridge Assemblies Complete**

SIZE DWG. NO. **C**

PLOT SCALE 0.75 | SHEET 1 OF 1

PROPRIETARY - THIS DOCUMENT CONTAINS CONFIDENTIAL, PROPRIETARY INFORMATION THAT IS FOX PROPERTY. DO NOT DISCLOSE TO OR DUPLICATE FOR OTHERS EXCEPT AS AUTHORIZED BY FOX.

4

3

2

1

ProE ASSEM