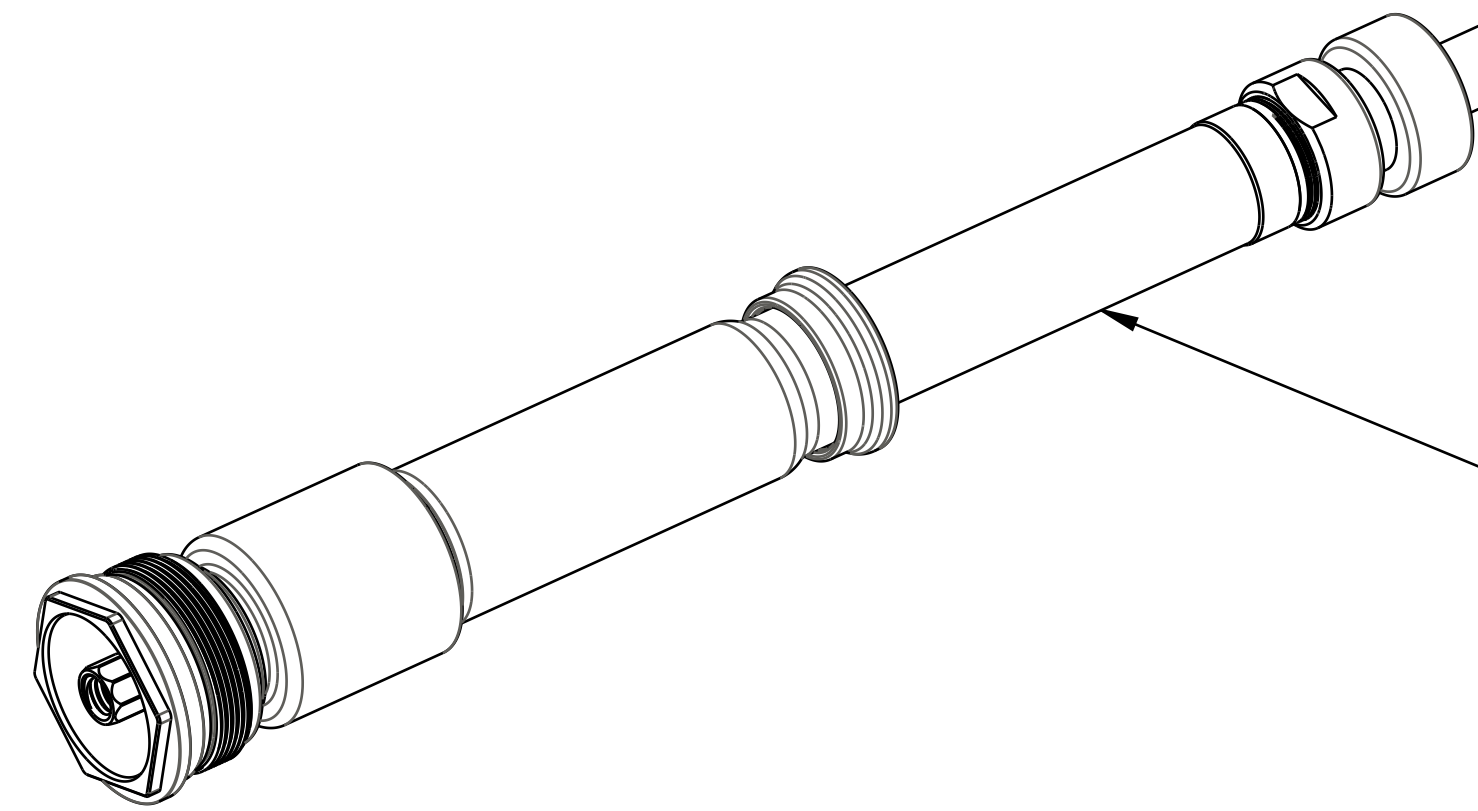


820-05-473-KIT
2018 FIT4 TopCap Interface Parts P-S Remote, U-Cup, Push-Unlock



2019 34 SC 27.5in and 29in 120 MAX FIT4 Remote U-Cup Cart Assy, P-S, Push to Unlock, 2 Position

TORQUE:
50±5 IN LBS - REFERENCE ONLY,
FOR INSTALLATION INTO FORK

019-01-048
Screw [M2.5 X 6mm] Socket Head Cap, Stainless

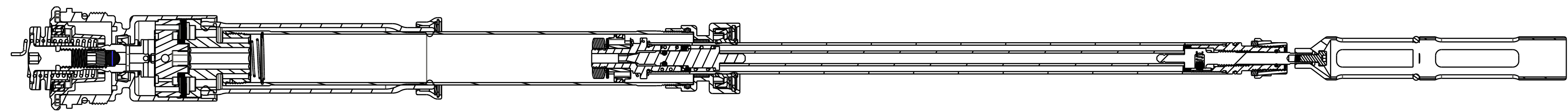
TORQUE:
5.0±1.0 IN-LBS

BOTTOM STUD INTERFACE PARTS:
820-05-507-KIT: 2019 34 SC Bottom Stud Interface Parts, 27.5in Fork
820-05-506-KIT: 2019 34 SC Bottom Stud Interface Parts, 29in Fork

REBOUND KNOBS:
210-24-375: Knob: Rebound Adj, Extruded, 2019 FIT4 Lightweight, 34, 27.5in
210-24-367: Knob: Rebound Adj, Extruded, 2019 FIT4 Lightweight, 34, 29in

241-00-005
Fastener, Custom: Nut, Bottom, R_RL_RLC

241-01-002-C
Fastener, Custom: Crush Washer, Plastic, R_RL_RLC



SECTION B-B

PROPRIETARY - PROPRIETARY INFORMATION
THIS DOCUMENT CONTAINS CONFIDENTIAL, PROPRIETARY INFORMATION
THAT IS FOR PROPERTY. DO NOT DISCLOSE TO OR DUPLICATE
FOR OTHERS EXCEPT AS AUTHORIZED BY FOX.

FOX Factory, Inc. Ph 831-768-1100
130 Hangar Way, Watsonville, CA 95076 USA Fax 831-768-9312

TITLE: 2019 34 SC P-S FIT4 Remote Cartridge Assemblies Complete

SIZE DWG. NO. D | PLOT SCALE 1.00:1 | SHEET 1 OF 1