

4

3

2

1

D

D

C

C

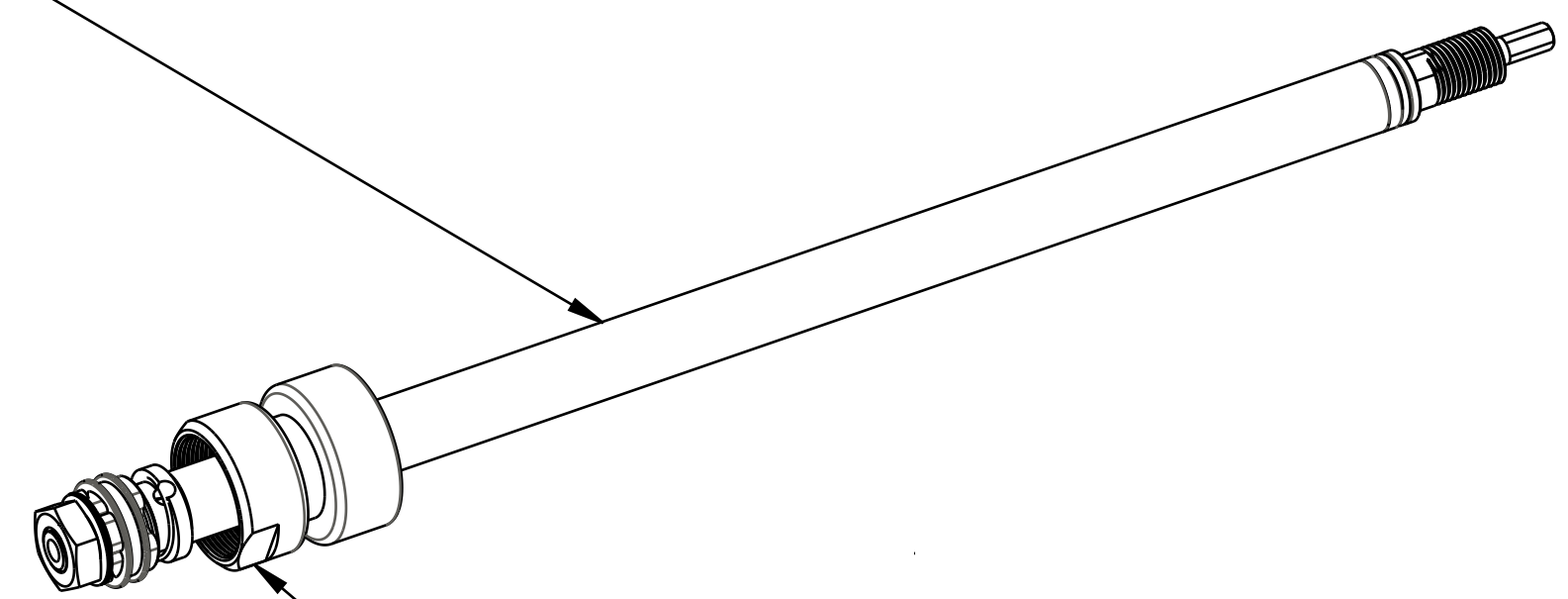
B

B

A

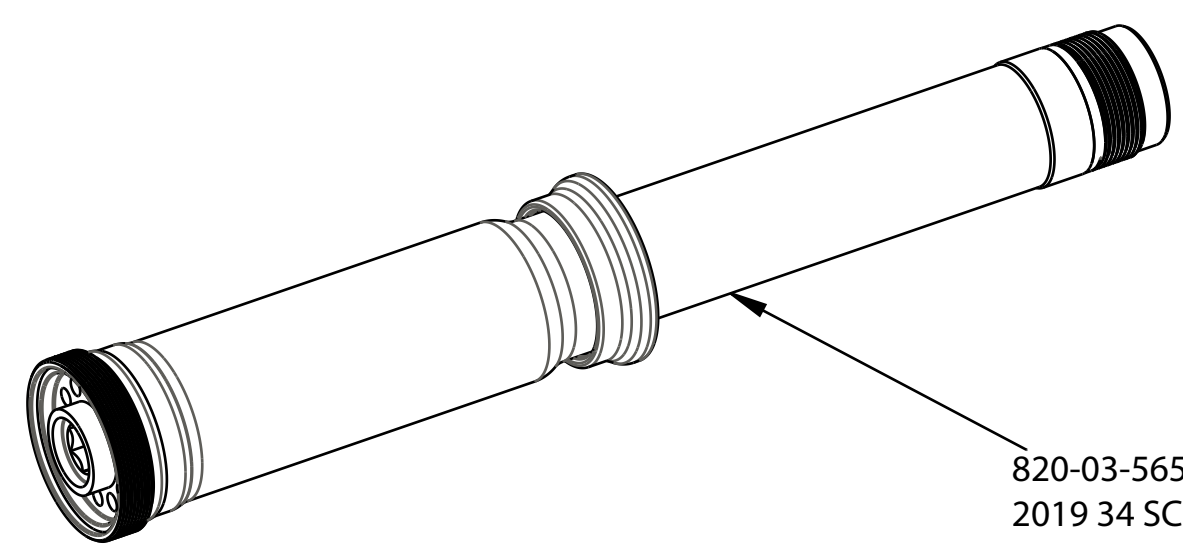
A

820-03-564-KIT  
2019 34 SC 27.5in and 29in 120 Max FIT4 Damper Shaft Assy, 8mm Shaft

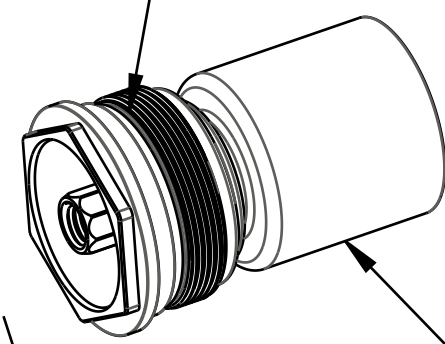


TORQUE:  
55±5 IN LBS

820-03-565-KIT  
2019 34 SC 27.5in and 29in 120 Max FIT4, Bladder Assy



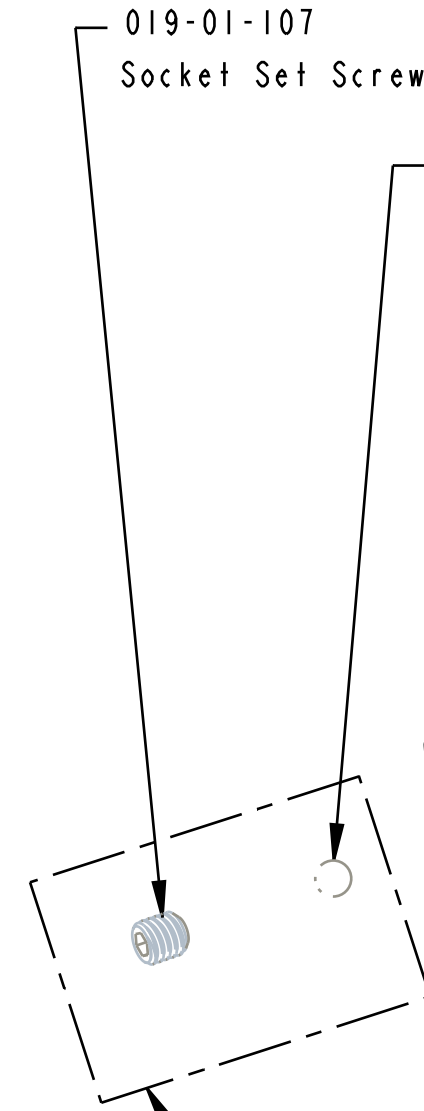
820-05-531-KIT  
2019 34 SC FIT4 Topcap Assy, Remote, U-Cup, P-S, Push to Unlock, 2 Position



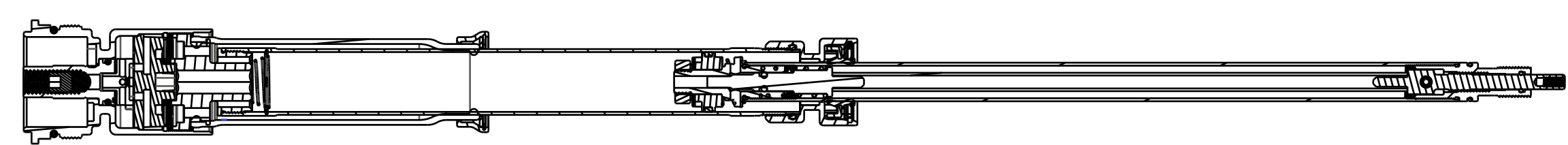
TORQUE:  
55±5 IN LBS

019-01-107  
Socket Set Screw [M6 x 1.0mm x 6mm] Flat Pt, SST

010-01-001  
Ball [Ø 0.1875] Steel



ASSEMBLE THESE PARTS AFTER OIL FILL



SECTION A-A  
SCALE 0.750

PROPRIETARY -  
THIS DOCUMENT CONTAINS CONFIDENTIAL, PROPRIETARY INFORMATION  
THAT IS FOX PROPERTY. DO NOT DISCLOSE TO OR DUPLICATE  
FOR OTHERS EXCEPT AS AUTHORIZED BY FOX.

	<b>FOX Factory, Inc.</b>		Ph 831-768-1100
	130 Hangar Way, Watsonville, CA 95076 USA		Fax 831-768-9312
TITLE	<b>2019 34 SC P-S FIT4 Remote Cartridge Assembly</b>		
SIZE	DWG. NO.	C	
PLOT SCALE	1.0:1	SHEET 1 OF 1	

4

3

2

1

ProE ASSEM