

4

3

2

1

D

D

C

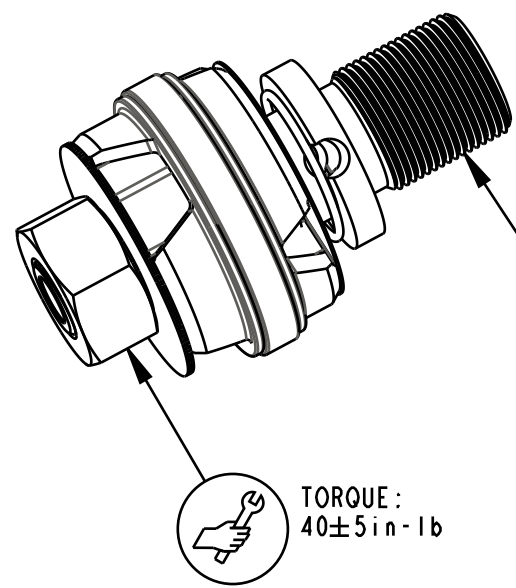
C

B

B

A

A



DETAIL Z  
SCALE 2:1

LOCTITE:  
RED 263, 2-3 DROPS  
360° COVERAGE

TORQUE:  
40±5 in-lb

820-03-525-KIT  
2019 Grip, All, Bearing Housing Assy

APPLY BLUE MARINE GREASE  
TO THREADS ON ALUMINUM  
REBOUND NEEDLES ONLY

229-10-276  
Shaft, 10mm, Damper, Hard Ano, Grip, 34 Lightweight

210-22-958  
Damping Adj Part: Base Stud, M8, Grip

029-08-022  
Seals: O-Ring [8.0MM ID x 1.0MM CS]  
Metric, N-70, Static

TORQUE:  
40±5 in-lb

LOCTITE:  
RED 263, 2-3 DROPS  
360° COVERAGE

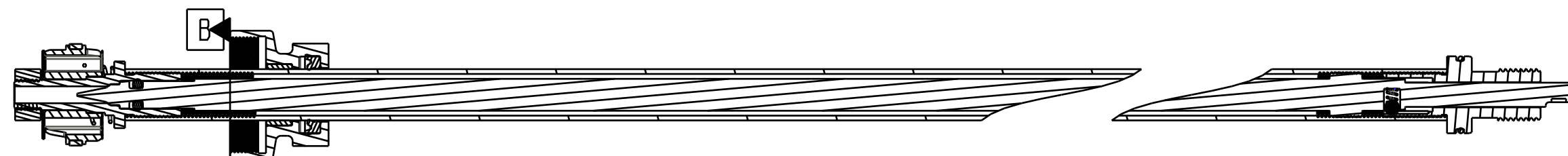
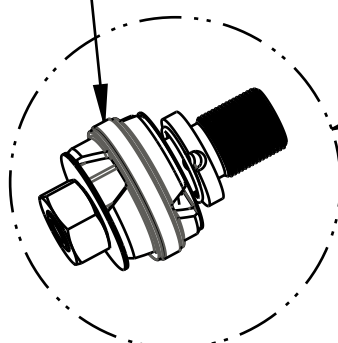
820-03-458-KIT  
2017 Grip Rebound Piston Assy, Short Travel

010-01-012  
Ball [Ø.1094]

039-00-243  
Spring: Detent [.138 TLG, .087 OD, 48 lb/in]

SEE DETAIL Z

210-03-255  
Damping Adjust Part: Needle, Rebound, Grip, 34 Lightweight



SECTION A-A

029-03-005  
O-Ring (-005) [.070 C.S. X 0.101 ID]

PROPRIETARY  
THIS DOCUMENT CONTAINS CONFIDENTIAL, PROPRIETARY INFORMATION  
THAT IS FOX PROPERTY. DO NOT DISCLOSE TO OR DUPLICATE  
FOR OTHERS EXCEPT AS AUTHORIZED BY FOX.

		<b>FOX Factory, Inc.</b>	Ph 831-768-1100
		130 Hangar Way, Watsonville, CA 95076 USA	Fax 831-768-9312
TITLE		2019 34 SC 27.5 & 29 120	
		Max, Grip Damper Shaft Assy	
SIZE	DWG. NO.	820-03-567-KIT	
C			
PLOT SCALE	1:1	SHEET 1 OF 1	