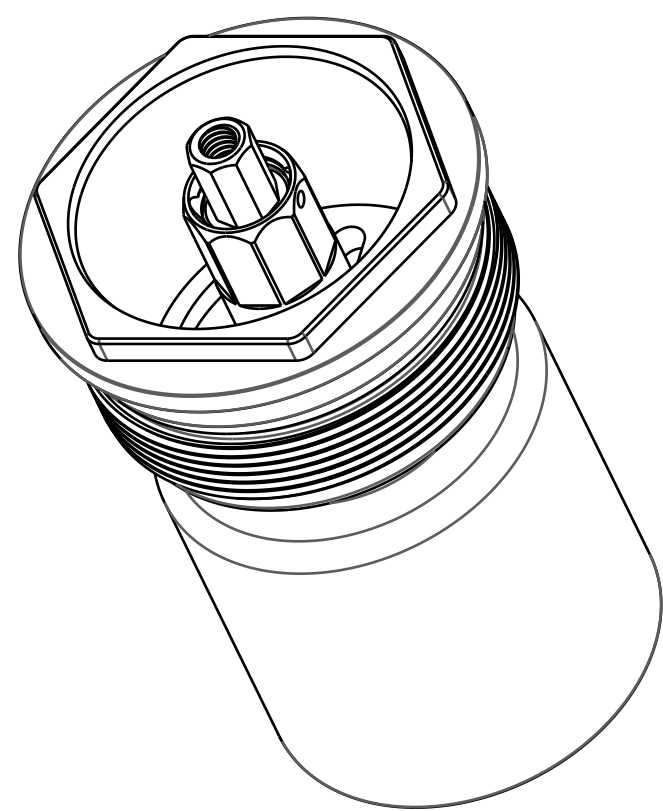


4

3

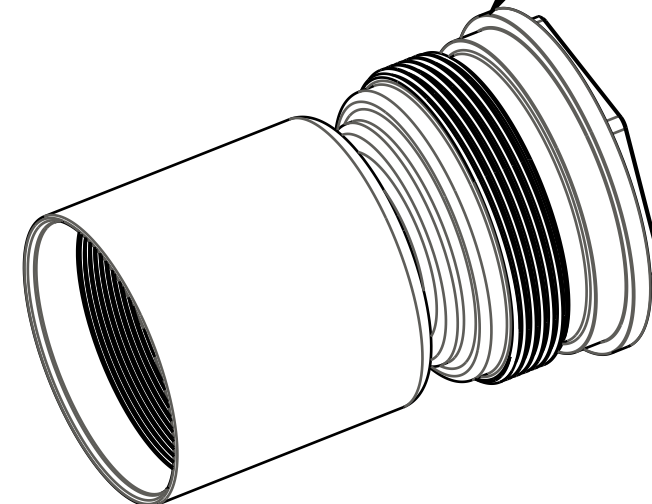
2

1



820-03-258-KIT
2017 FIT4 Lightweight Top Cap Parts

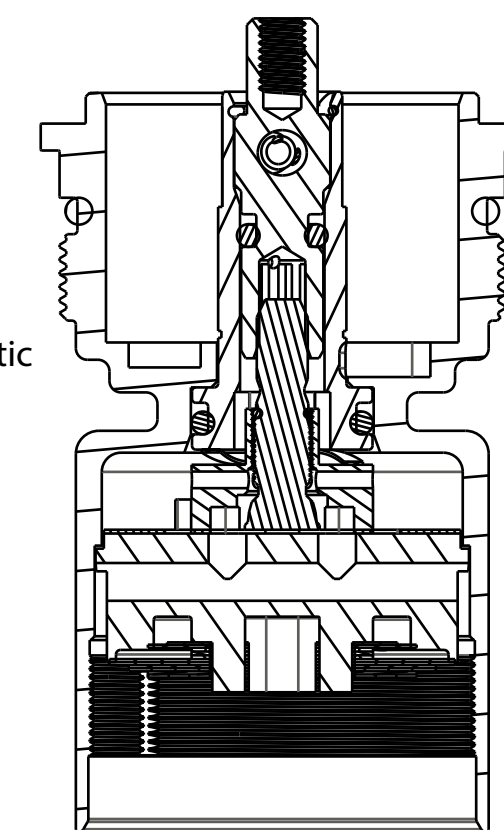
Body, Topcap, 34, 2019 FIT4 Lightweight



029-03-024-A
Seals: O-Ring [(-024) .070 C.S. X 1.114 ID] Standard, N-70, Static



820-03-575-KIT
2019 FIT4 SC Compression Valving Assy, 8mm Shaft



FOX FOX Factory, Inc. Ph 831-768-1100
130 Hongor Way, Watsonville, CA 95076 USA Fax 831-768-9312

TITLE 2019 34 SC FIT4 Topcap Assy,
3 Pos Adj

SIZE DWG. NO. 820-05-502-KIT

PLOT SCALE | .50:1 |

SHEET 1 OF 1

PROPRIETARY
THIS DOCUMENT CONTAINS CONFIDENTIAL, PROPRIETARY INFORMATION
THAT IS FOX PROPERTY. DO NOT DISCLOSE TO OR DUPLICATE
FOR OTHERS EXCEPT AS AUTHORIZED BY FOX.

4

3

2

ProE ASSEM