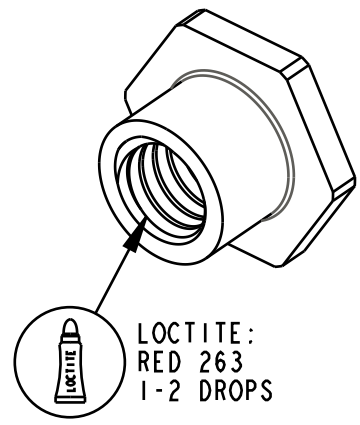


4

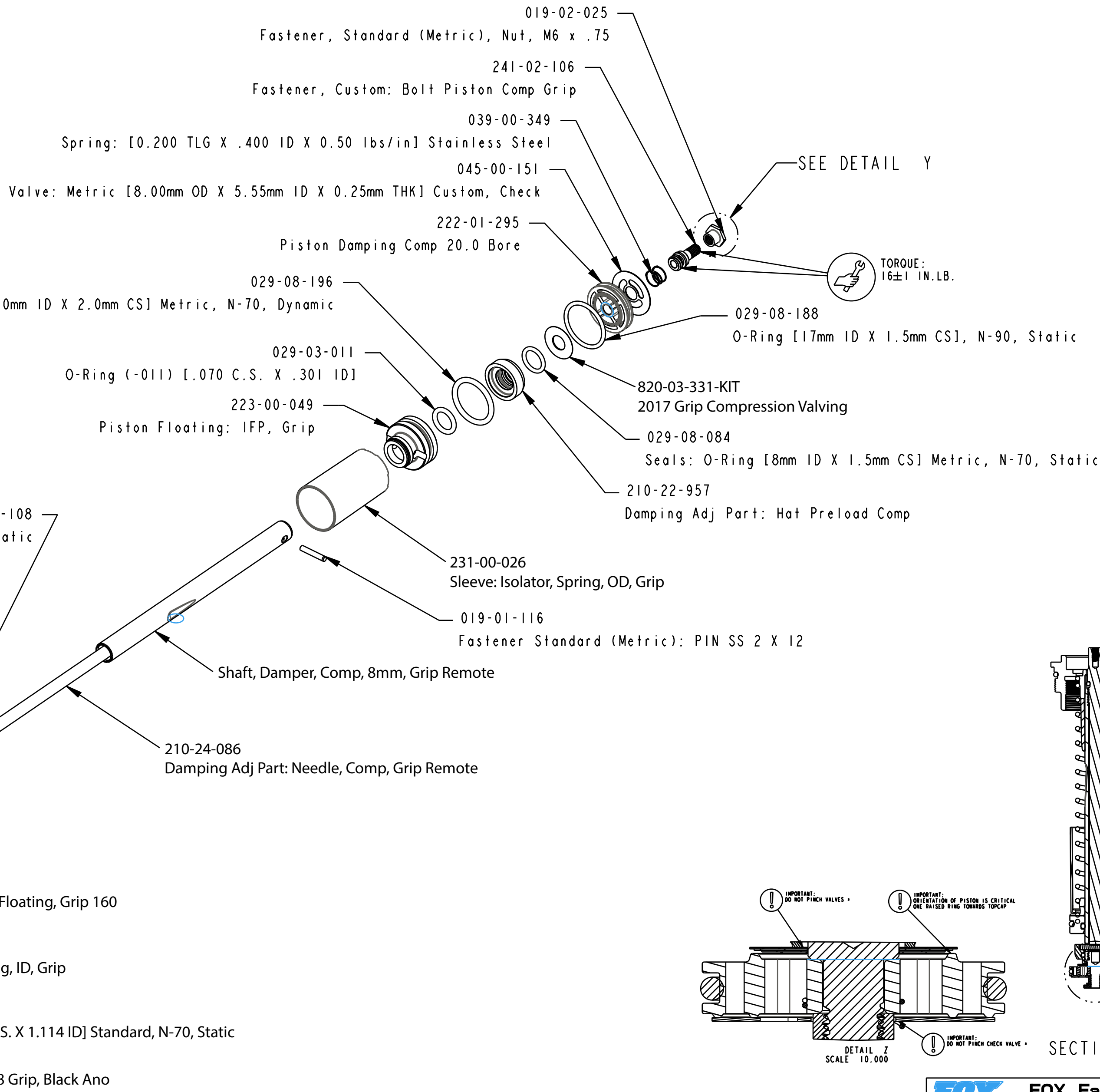
3

2

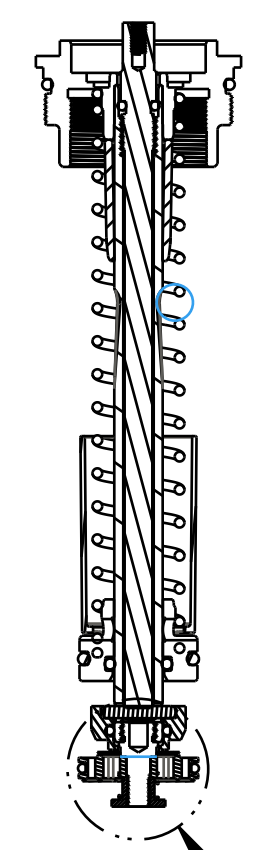
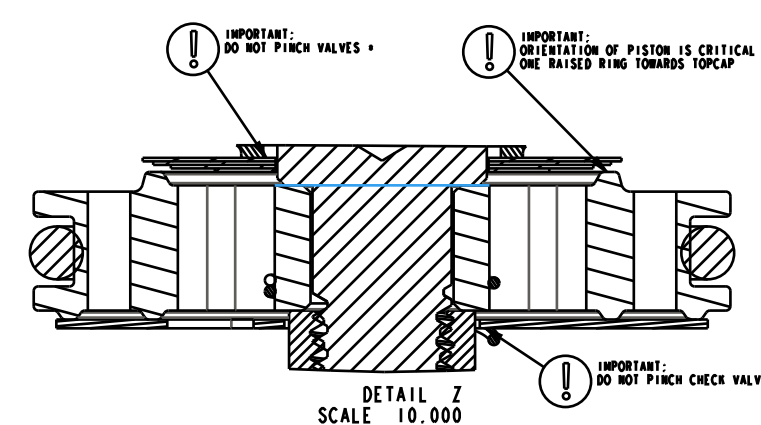
1



DETAIL Y
SCALE 4:1



IMPORTANT:
NOTE ORIENTATION
THIS END TAPERED



PROPRIETARY
THIS DOCUMENT CONTAINS CONFIDENTIAL, PROPRIETARY INFORMATION
THAT IS FOX PROPERTY. DO NOT DISCLOSE TO OR DUPLICATE
FOR OTHERS EXCEPT AS AUTHORIZED BY FOX.

		FOX Factory, Inc.	Ph 831-768-1100
130 Hangar Way, Watsonville, CA 95076 USA		Fax 831-768-9312	
2019 34, All,			
Grip Remote, Topcap Assy			
SIZE	DWG. NO.	820-05-523-KIT	
C			
PLOT SCALE	0.80:1	SHEET 1 OF 1	