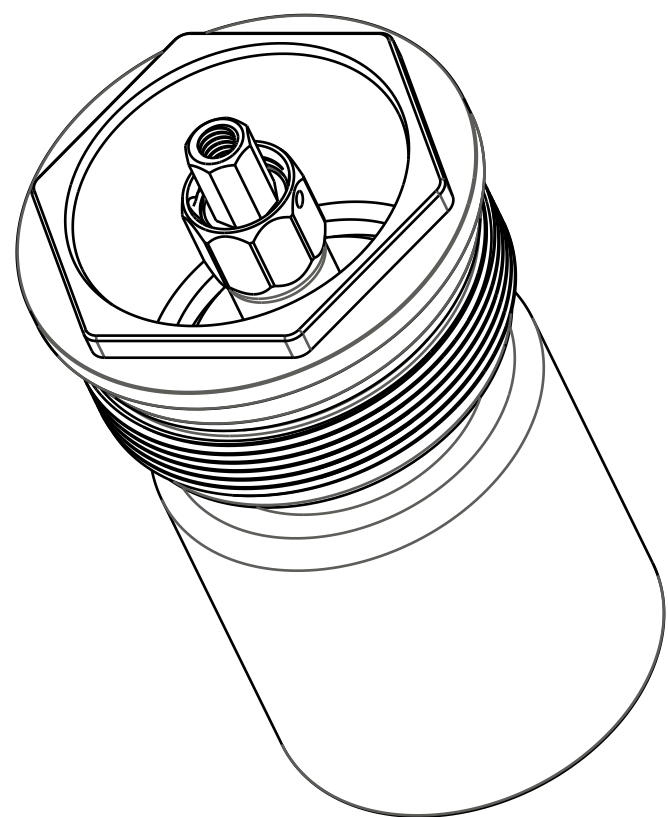


4

3

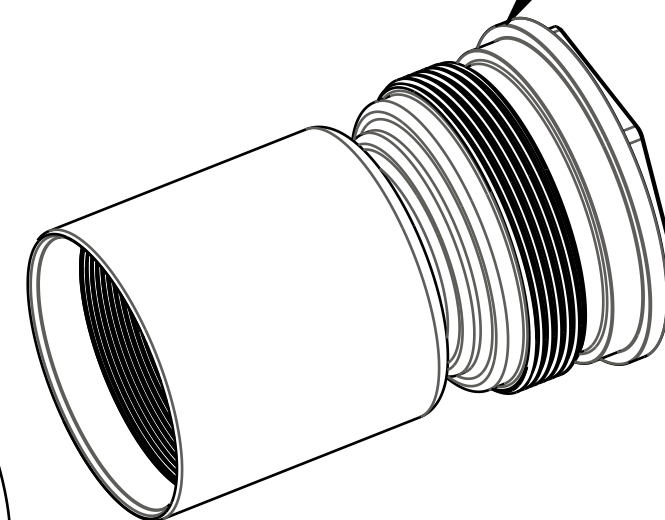
2

1



Body, Topcap, 34, 2019 FIT4 Lightweight, U-Cup

GREASE:
THIN LAYER
OF SLICK HONEY

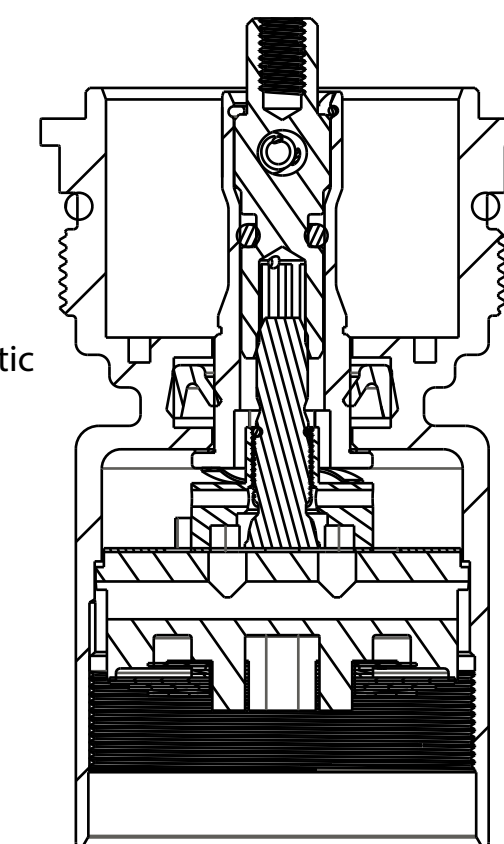


029-03-024-A
Seals: O-Ring [(-024) .070 C.S. X 1.114 ID] Standard, N-70, Static

036-01-093
Seals: U-cup, Low Friction, 9mm Shaft

820-03-543-KIT
2018 FIT4 Lightweight P-S Top Cap Parts, Remote, U-Cup, Push to Unlock

820-03-575-KIT
2019 FIT4 SC Compression Valving Assy, 8mm Shaft



FOX FOX Factory, Inc. Ph 831-768-1100
130 Hangar Way, Watsonville, CA 95076 USA Fax 831-768-9312

TITLE
2019 34 SC FIT4 Topcap Assy, Remote,
U-Cup, P-S, Push to Unlock, 2 Position

SIZE DWG. NO.
C 820-05-531-KIT

PLOT SCALE | .50 : 1 |

SHEET 1 OF 1

- PROPRIETARY -
THIS DOCUMENT CONTAINS CONFIDENTIAL, PROPRIETARY INFORMATION
THAT IS FOX PROPERTY. DO NOT DISCLOSE TO OR DUPLICATE
FOR OTHERS EXCEPT AS AUTHORIZED BY FOX.

4

3

2

Pr oE ASSEM