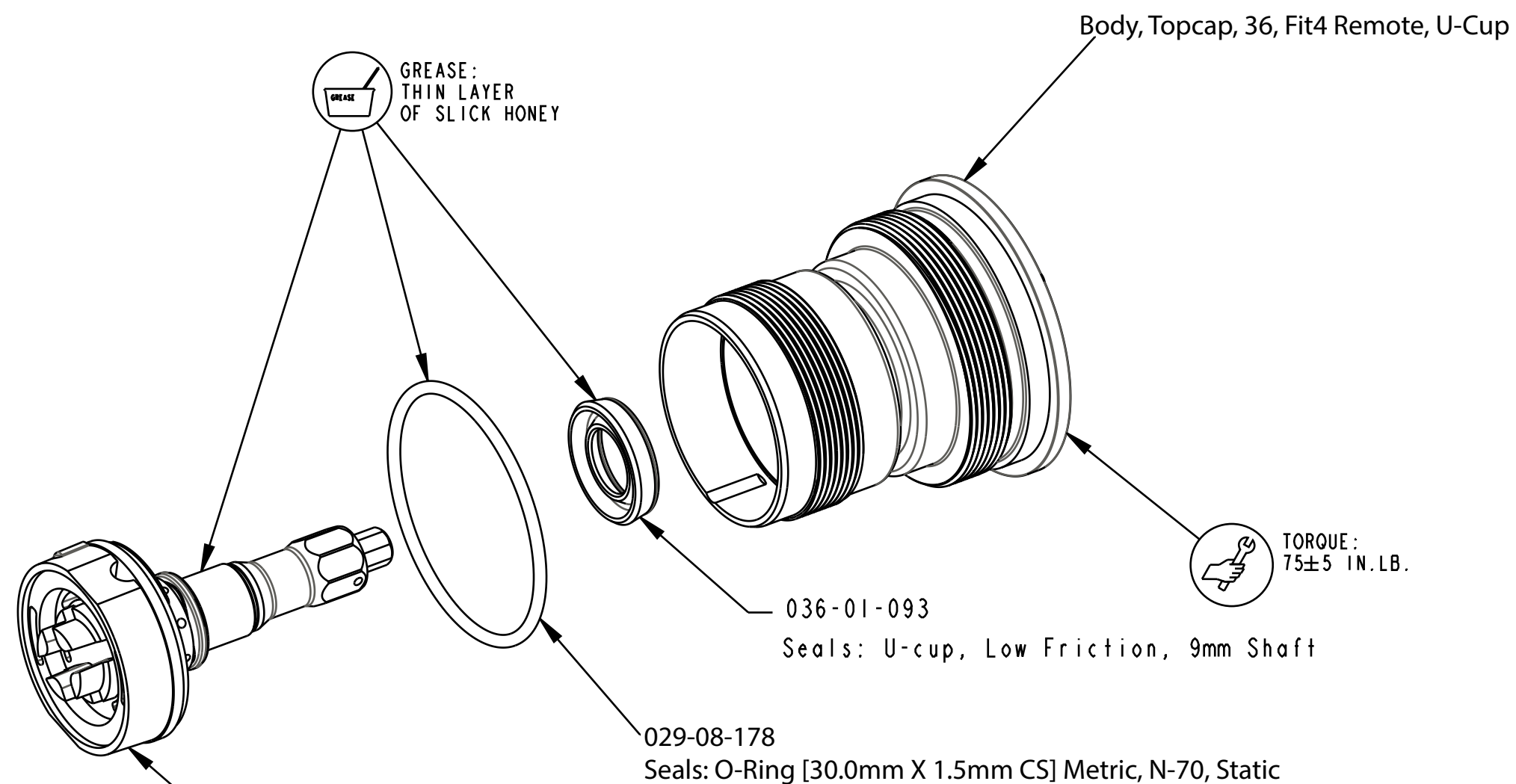
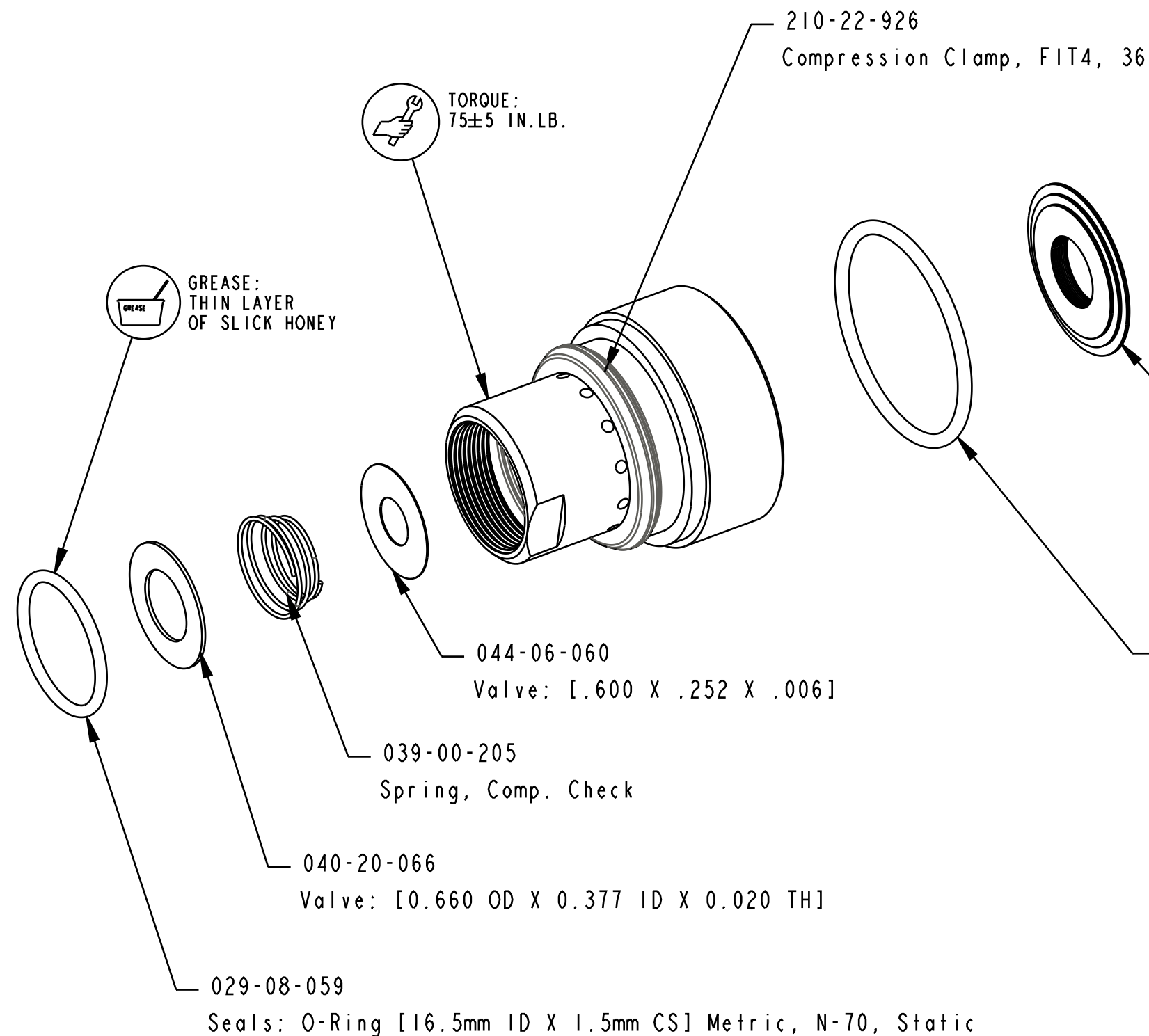
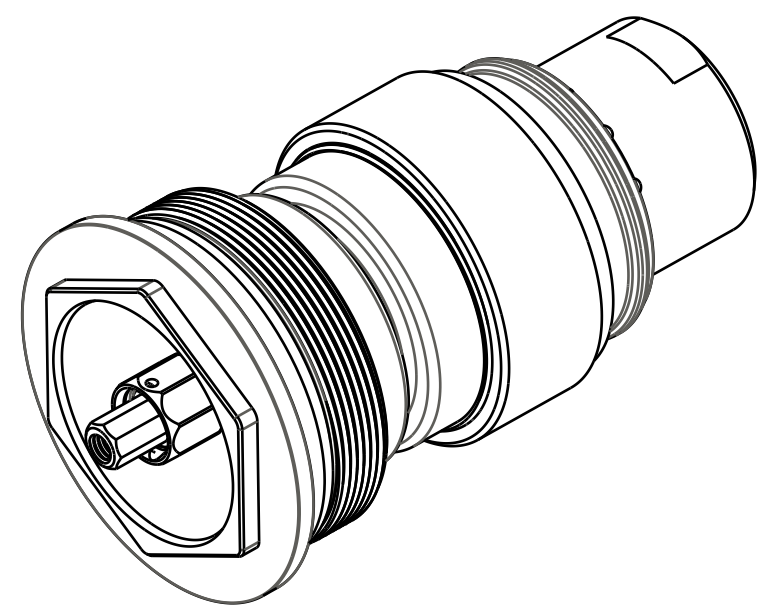


4

3

2

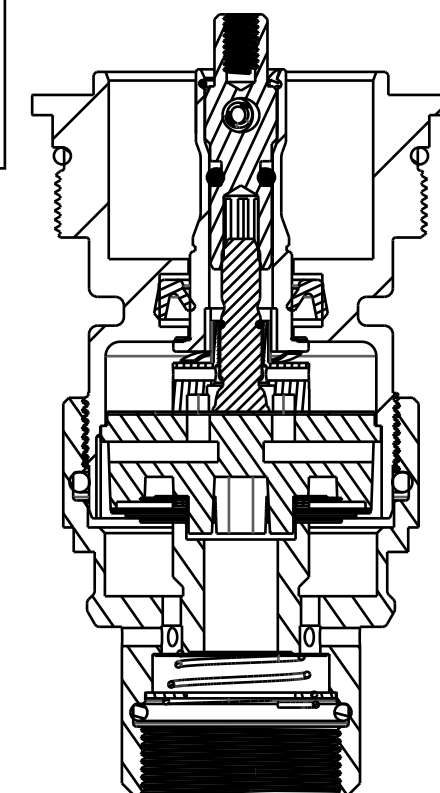
1



**TOPCAP PARTS:**  
 820-03-540-KIT: 2018 FIT4 F-S Top Cap Parts, Remote, U-Cup, Push-Unlock  
 820-03-537-KIT: 2018 FIT4 F-S Top Cap Parts, Remote, U-Cup, Push-Lock  
 820-03-532-KIT: 2018 FIT4 F-S Top Cap Parts, Remote, U-Cup

**VALVING ASSEMBLIES:**  
 820-03-544-KIT: 2018 FIT4 F-S Compression Valving Assy, E18  
 820-03-596-KIT: 2019 FIT4 Compression Valving Assy, E-Bike Tune

029-03-023  
 Seals: O-Ring [(-023) .070 C.S. X 1.051 ID] Standard, N-70, Static



- PROPRIETARY -  
 THIS DOCUMENT CONTAINS CONFIDENTIAL, PROPRIETARY INFORMATION  
 THAT IS FOX PROPERTY. DO NOT DISCLOSE TO OR DUPLICATE  
 FOR OTHERS EXCEPT AS AUTHORIZED BY FOX.

	<b>FOX Factory, Inc.</b> 130 Hangar Way, Watsonville, CA 95076 USA Ph 831-768-1100 Fax 831-768-9312	
	<b>2019 36 F-S FIT4</b> <b>Remote Topcap Assemblies</b>	
TITLE <b>C</b>	DWG. NO.	SHEET 1 OF 1
SIZE <b>C</b>	PLOT SCALE   .50 : 1	ProE ASSEM

4

3

2

1