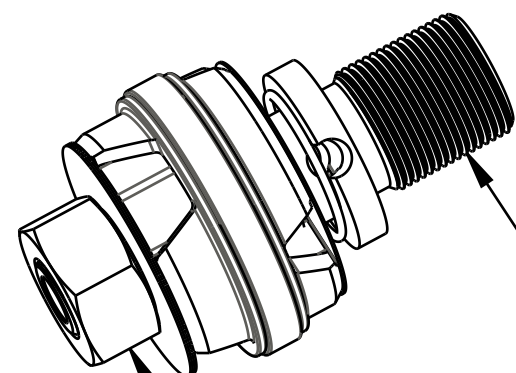


4

3

2

1



LOCTITE:
RED, 263, 2-3 DROPS
360° COVERAGE *

TORQUE:
40±5 in-lb

DETAIL Z
SCALE 2:1

820-03-525-KIT
2019 Grip, All, Bearing Housing Assy

APPLY BLUE MARINE GREASE
TO THREADS ON ALUMINUM
REBOUND NEEDLES ONLY

210-24-037
Damping Adj Part: Base Stud, M10.25, Grip

029-08-047
Seals: O-Ring [13.0MM ID x 1.0MM CS]
Metric, N-70, Static

TORQUE:
40±5 in-lb

LOCTITE:
RED, 263, 2-3 DROPS
360° COVERAGE *

229-10-272
Shaft, 10mm Damper, Hard Ano, Grip, 32 29 All

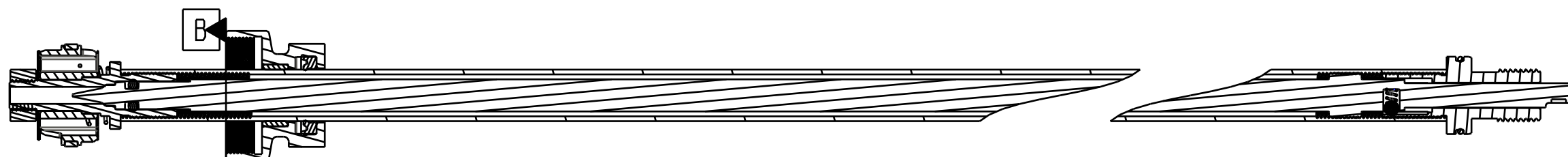
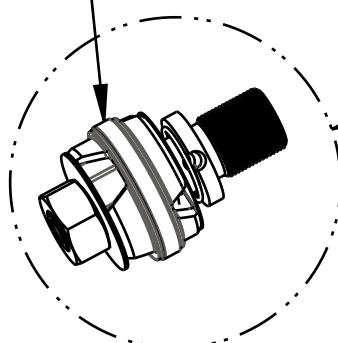
010-01-012
Ball [Ø.1094]

039-00-243
Spring: Detent [.138 TLG, .087 OD, 48 lb/in]

REBOUND PISTON ASSEMBLIES:
820-03-591-KIT: 2019 Grip E-Bike Rebound Piston Assy
820-03-330-KIT: 2017 Grip Rebound Piston Assy

210-03-232
Damping Adj Part: Needle, Rbd, Injection Molded, 32 29 All

SEE DETAIL Z



SECTION A-A

029-03-005
O-Ring (-005) [.070 C.S. X 0.101 ID]

FOX Factory, Inc. Ph 831-768-1100
130 Hangar Way, Watsonville, CA 95076 USA Fax 831-768-9312

TITLE
**2019 36 P-S Grip
Damper Shaft Assemblies**

SIZE DWG. NO.
C
PLOT SCALE 1:1 SHEET 1 OF 1

PROPRIETARY
THIS DOCUMENT CONTAINS CONFIDENTIAL, PROPRIETARY INFORMATION
THAT IS FOX PROPERTY. DO NOT DISCLOSE TO OR DUPLICATE
FOR OTHERS EXCEPT AS AUTHORIZED BY FOX.

4

3

2

ProE ASSEM