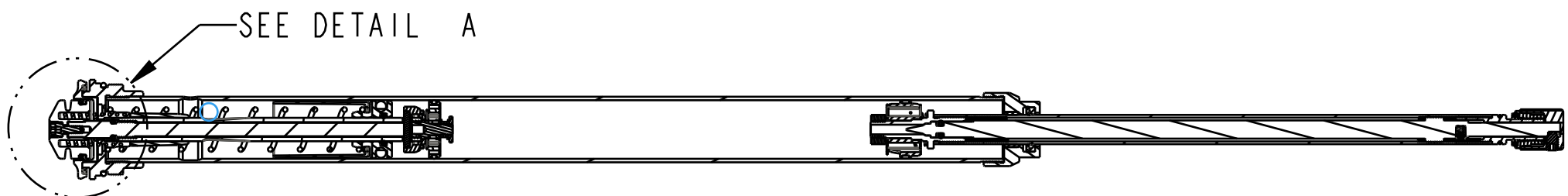


4

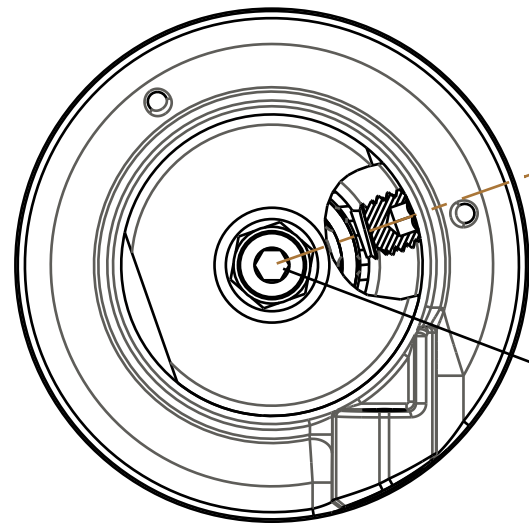
3

2

1



SECTION A-A
SCALE 0.500



SECTION C-C

WHEN LOCKED OUT, SET SCREW MUST BE 20°-60° FROM CABLE BOSS (AT 6 IN-LB).

TORQUE: NEEDLE TO 3.5 ± .25 IN-LB BEFORE INSTALLING REMOTE ASSEMBLY TORQUE TO 1.5 IN-LB FOR CARTRIDGE DYNO

TORQUE: 220 ± 5 IN. LB. REFERENCE ONLY (FOR INSTALLATION INTO FORK)

820-05-445-KIT
2018 Grip Remote, Topcap Interface Parts

210-24-285
Cable Pulley Remote, Grip

TORQUE: 6 ± 1 IN. LB.

GREASE: THIN LAYER BLUE MARINE GREASE ID AND OD

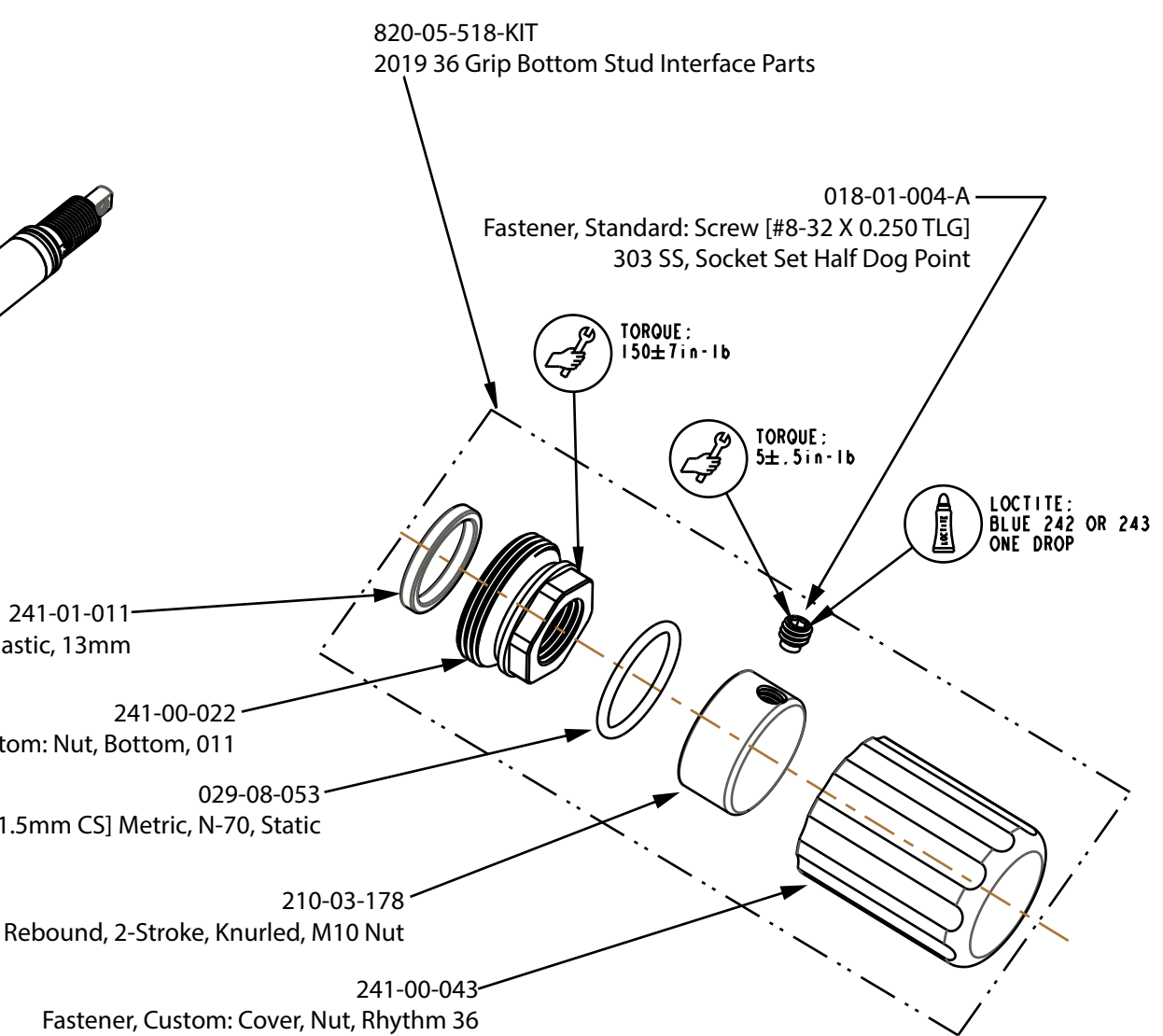
Seals: U-Cup, Shore 70A, 2013 CTD-ADJ, Remote Fit-CTD and Remote O/C-CTD
Fastener: Custom (Metric): Socket Set Screw [M4 x .7mm x 3mm], SST, Patchlock

019-01-115
Fastener Standard (Metric): Screw, Socket Head, M2.5 X 8

CARTRIDGE ASSY

210-24-259
Damping Adjust Part: Housing, Remote, Hubless, FIT4

039-00-404
Spring: Torsion, Remote, 2018 Grip



820-05-518-KIT
2019 36 Grip Bottom Stud Interface Parts

018-01-004-A
Fastener, Standard: Screw [#8-32 X 0.250 TLG] 303 SS, Socket Set Half Dog Point

TORQUE: 150 ± 7 in-lb

TORQUE: 5 ± .5 in-lb

LOCTITE: BLUE 242 OR 243 ONE DROP

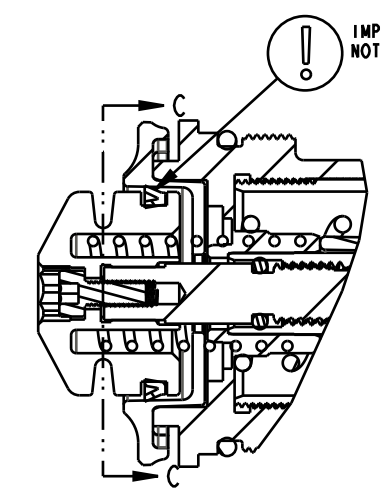
241-01-011
Fastener, Custom: Crush Washer, Plastic, 13mm

241-00-022
Fastener, Custom: Nut, Bottom, 011

Seals: O-Ring [15mm ID x 1.5mm CS] Metric, N-70, Static

210-03-178
Knob, Rebound, 2-Stroke, Knurled, M10 Nut

241-00-043
Fastener, Custom: Cover, Nut, Rhythm 36



IMPORTANT: NOTE SEAL ORIENTATION

DETAIL A
SCALE 2.000

PROPRIETARY - THIS DOCUMENT CONTAINS CONFIDENTIAL, PROPRIETARY INFORMATION THAT IS FOX PROPERTY. DO NOT DISCLOSE TO OR DUPLICATE FOR OTHERS EXCEPT AS AUTHORIZED BY FOX.

FOX Factory, Inc.
130 Hangar Way, Watsonville, CA 95076 USA
Ph 831-768-1100 Fax 831-768-9312

TITLE **2019 36 P-S Grip Remote Cartridge Assemblies Complete**

SIZE	DWG. NO.	PLOT SCALE 0.75	SHEET 1 OF 1
C			