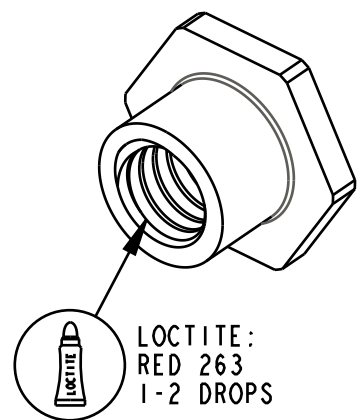


4

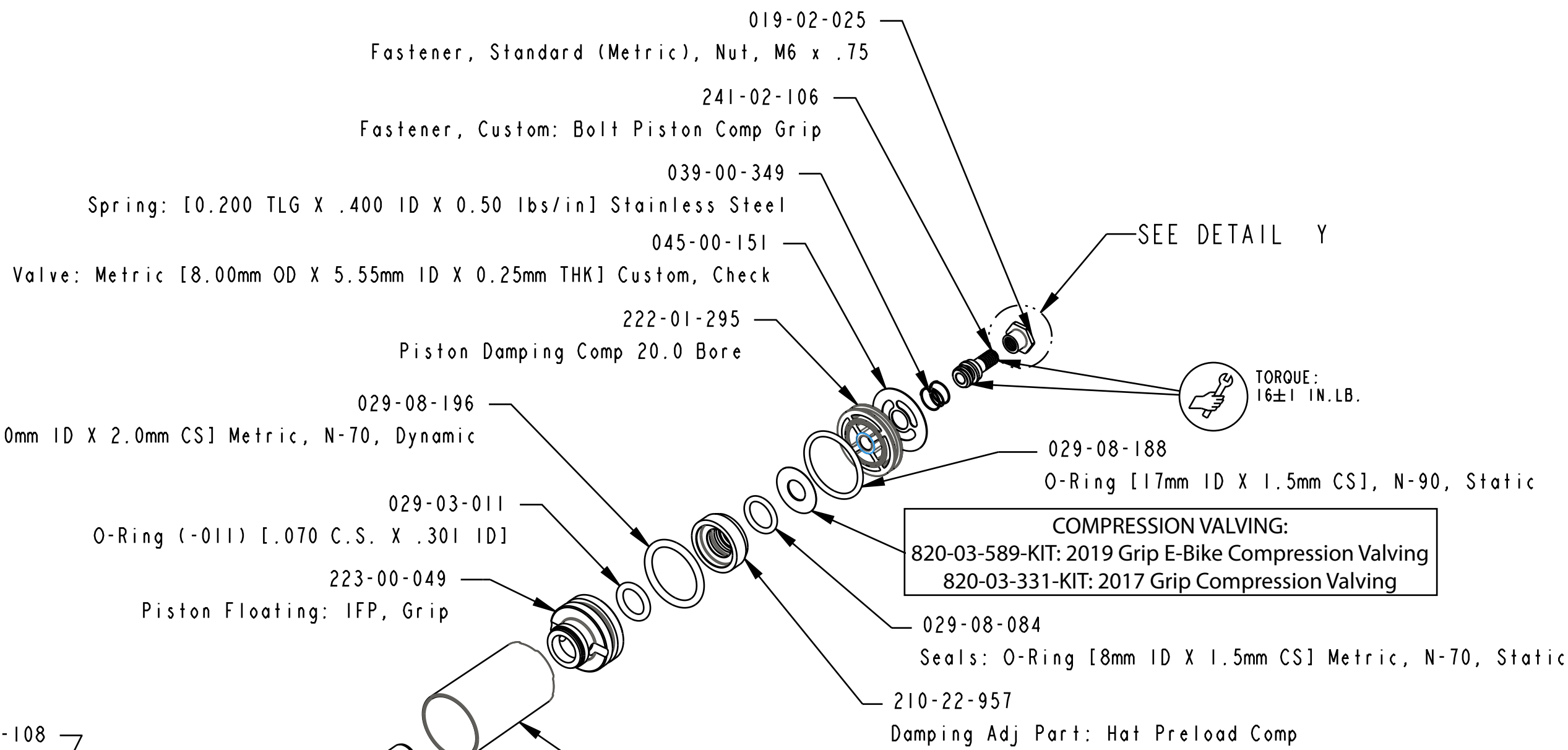
3

2

1



DETAIL Y
SCALE 4:1



029-08-108
Seals: O-Ring [4.0mm ID x 1.5mm CS] Metric, N-70, Static

231-00-026
Sleeve: Isolator, Spring, OD, Grip

019-01-116
Fastener Standard (Metric): PIN SS 2 X 12

COMPRESSION NEEDLES:
210-24-086: Damping Adj Part: Needle, Comp, Grip Remote
210-03-270: Damping Adjust Part: Needle, Comp, Grip, 36 180 Max, Remote

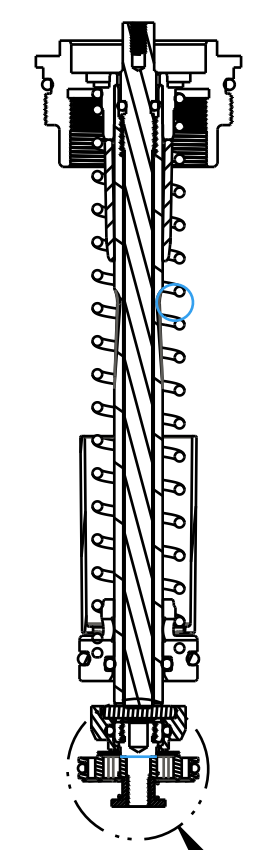
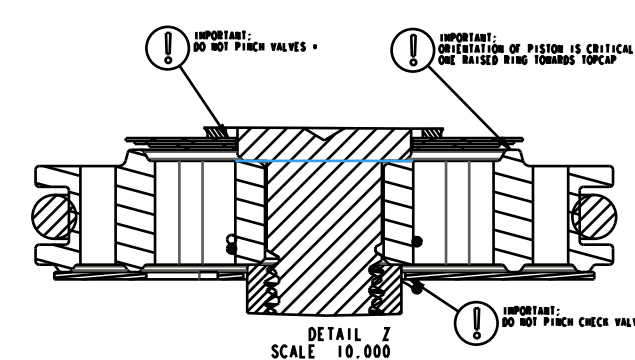
IFP SPRINGS:
039-00-378: Spring, Piston, Floating, Grip 160
039-00-435: Spring, Piston, Floating, Grip 180

231-00-025
Sleeve: Isolator, Spring, ID, Grip

029-08-178
Seals: O-Ring [30.0mm X 1.5mm CS] Metric, N-70, Static

Damping Adj Part: Topcap 36 2018 Grip, Black Ano

IMPORTANT:
NOTE ORIENTATION
THIS END TAPERED



SECTION A-A
SEE DETAIL Z

PROPRIETARY
THIS DOCUMENT CONTAINS CONFIDENTIAL, PROPRIETARY INFORMATION
THAT IS FOX PROPERTY. DO NOT DISCLOSE TO OR DUPLICATE
FOR OTHERS EXCEPT AS AUTHORIZED BY FOX.

FOX Factory, Inc. Ph 831-768-1100
130 Hangar Way, Watsonville, CA 95076 USA Fax 831-768-9312

TITLE
**2019 36 P-S Grip
Remote Topcap Assemblies**

SIZE DWG. NO.
C

PLOT SCALE 0.80:1 SHEET 1 OF 1

4

3

2

1

ProE ASSEM