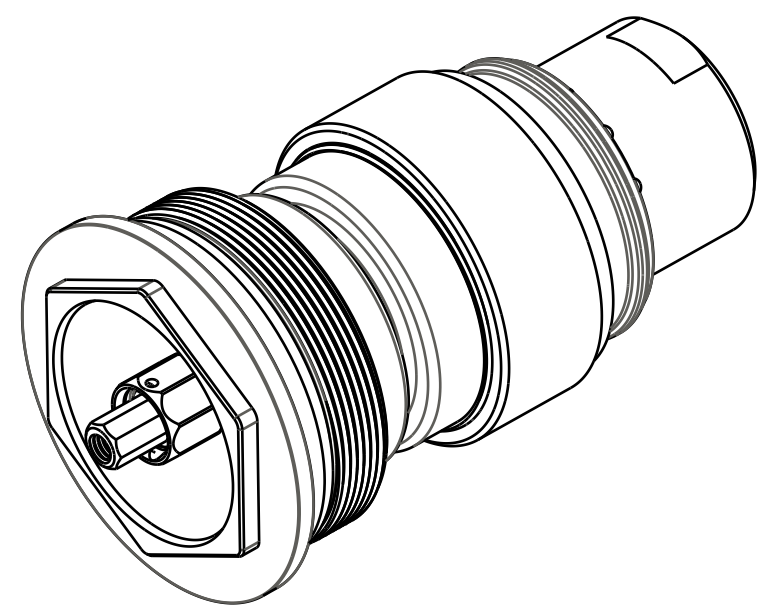


4

3

2

1



Body, Topcap, 36, Fit4 Remote, U-Cup

GREASE:
THIN LAYER
OF SLICK HONEY

TORQUE:
75±5 IN.LB.

210-22-926
Compression Clamp, FIT4, 36

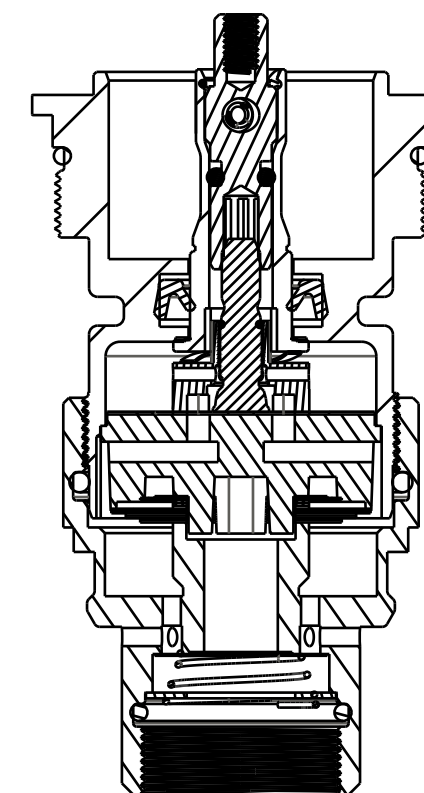
TORQUE:
75±5 IN.LB.

036-01-093
Seals: U-cup, Low Friction, 9mm Shaft

GREASE:
THIN LAYER
OF SLICK HONEY

029-08-178
Seals: O-Ring [30.0mm X 1.5mm CS] Metric, N-70, Static

820-03-541-KIT
2018 FIT4 P-S Top Cap Parts, Remote, U-Cup, Push-Unlock



820-03-596-KIT
2019 FIT4 Compression Valving Assy, E-Bike Tune

029-03-023
Seals: O-Ring [(-023) .070 C.S. X 1.051 ID] Standard, N-70, Static

044-06-060
Valve: [.600 X .252 X .006]

039-00-205
Spring, Comp. Check

040-20-066
Valve: [0.660 OD X 0.377 ID X 0.020 TH]

029-08-059
Seals: O-Ring [16.5mm ID X 1.5mm CS] Metric, N-70, Static

PROPRIETARY
THIS DOCUMENT CONTAINS CONFIDENTIAL, PROPRIETARY INFORMATION
THAT IS FOX PROPERTY. DO NOT DISCLOSE TO OR DUPLICATE
FOR OTHERS EXCEPT AS AUTHORIZED BY FOX.

FOX **FOX Factory, Inc.** Ph 831-768-1100
130 Hangar Way, Watsonville, CA 95076 USA Fax 831-768-9312

TITLE
2019 36 FIT4 P-S Topcap Assy, Remote,
U-Cup, 2 Position, Push-Unlock, E-Bike Tune

SIZE DWG. NO. **820-05-547-KIT**

PLOT SCALE | .50 : 1 | SHEET | OF | 1

ProE ASSEM

4

3

2

1