

SECTION A-A

SEE DETAIL Z

- 039-00-436 Spring, Piston, Floating, Grip 203
- Shaft, Damper, 8mm, Comp, Grip2, HSC / LSC, 40 203
- 231-00-111 Sleeve: Isolator, Spring, OD, Grip 40

SEE DETAIL Y

- Damping Adj Part: Coupler, LSC, Grip2 210-24-245
- Retaining Ring: Wire [.280 OD X .024 CS] SS 038-01-073
- Seals: O-Ring [3.0MM ID x 1.5MM CS] Metric, N-70, Static 029-08-068
- Seals: O-Ring [5.0MM ID x 1.5MM CS] Metric, N-90, Static 029-08-019

- Damping Adjust Part: HSC Grip2 210-24-392

- Sleeve: Isolator, Spring, ID, Grip 40 231-00-012

- Seals: O-Ring [(-011) .070 C.S. X .301 ID] Standard, N-70, Static 029-03-011

- Piston Floating: IFP, Grip2 223-00-049

- Fastener Custom: Pin, Grip2 241-02-115

- Damping Adj Part: Valve Loader, HSC, Grip2 210-24-241

- 2019 Grip2 Compression Valving 820-03-530-KIT

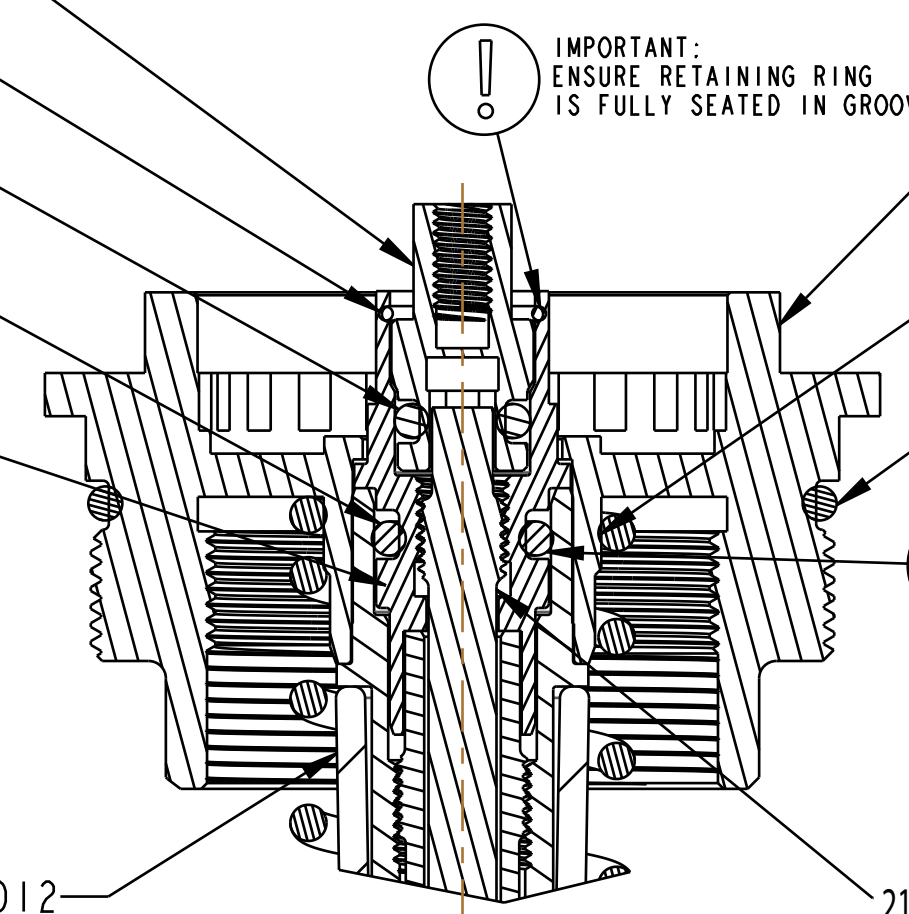
- Piston Damping Comp 20.0 Bore 222-01-295

- Seals: O-Ring [17mm ID X 1.5mm CS], N-90, Static 029-08-188

- Valve: Metric [18.50mm OD X 5.55mm ID X 0.25mm THK] Custom, Check 045-00-151

- Spring, Comp Check, Grip2 039-00-398

- Fastener, Custom (Metric): Bolt Piston Comp Grip2 241-02-101



DETAIL Z SCALE 3:1

IMPORTANT: ENSURE RETAINING RING IS FULLY SEATED IN GROOVE

- Damping Adj Part: 2019 Topcap 40 Grip F-S, HSC / LSC

IMPORTANT: ENSURE SPRING SNAPS ON MATING PART (FULLY SEATED) BOTH ENDS

- 029-03-026-A Seals: O-Ring [(-026) .070 C.S. X 1.239 ID] Standard, N-70, Static

IMPORTANT: INSTALL O-RING DRY (NO GREASE)

- Damping Adjust Part: Needle. LSC, Grip F-S, 40 203 210-03-281

- Seals: O-Ring [(-011) .070 C.S. X .301 ID] Standard, N-70, Static 029-03-011

- Piston Floating: IFP, Grip2 223-00-049

- Fastener Custom: Pin, Grip2 241-02-115

- Damping Adj Part: Valve Loader, HSC, Grip2 210-24-241

- 2019 Grip2 Compression Valving 820-03-530-KIT

- Piston Damping Comp 20.0 Bore 222-01-295

- Seals: O-Ring [17mm ID X 1.5mm CS], N-90, Static 029-08-188

- Valve: Metric [18.50mm OD X 5.55mm ID X 0.25mm THK] Custom, Check 045-00-151

- Spring, Comp Check, Grip2 039-00-398

- Fastener, Custom (Metric): Bolt Piston Comp Grip2 241-02-101

- Shaft, HSC Grip F-S, 40 203 229-10-701

- Seals: O-Ring [16.0mm ID X 2.0mm CS] Metric, N-70, Dynamic 029-08-196

TORQUE: 2X 2.5 ± .5 in-lb*

- Seals: O-Ring [6.0mm ID x 1.5mm CS] Metric, N-70, Static 029-08-060

IMPORTANT: DO NOT PINCH COMPRESSION VALVES CHECK FUNCTION AFTER ASSY

IMPORTANT: DO NOT PINCH CHECK VALVE CHECK FUNCTION AFTER ASSY

TORQUE: 17 ± 2 in-lb*

		FOX Factory, Inc.	Ph 831-768-1100
		130 Hangar Way, Watsonville, CA 95076 USA	Fax 831-768-9312
TITLE			
2019 40 Grip2			
HSC / LSC Damper, Topcap Assy			
SIZE DWG. NO.		820-05-510-KIT	
C			
PLOT SCALE 1.5:1		SHEET 1 OF 3	

- PROPRIETARY -
THIS DOCUMENT CONTAINS CONFIDENTIAL, PROPRIETARY INFORMATION
THAT IS FOX PROPERTY. DO NOT DISCLOSE TO OR DUPLICATE
FOR OTHERS EXCEPT AS AUTHORIZED BY FOX.