

4

3

2

1

D

D

C

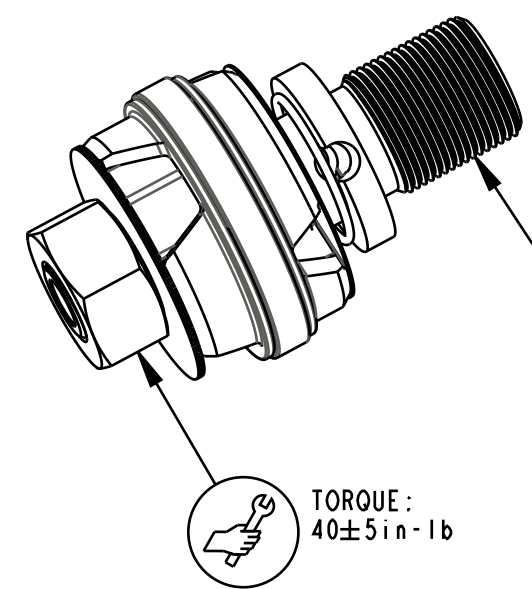
C

B

B

A

A



LOCTITE:
RED 263, 2-3 DROPS
360° COVERAGE *

TORQUE:
40±5in-lb

DETAIL Z
SCALE 2:1

820-03-577-KIT
2019 Grip Bearing Housing Assy

229-10-277
Shaft, 10mm Damper, Hard Ano, Grip, 40

820-03-330-KIT
2017 Grip Rebound Piston Assy

SEE DETAIL Z

APPLY BLUE MARINE GREASE
TO THREADS ON ALUMINUM
REBOUND NEEDLES ONLY

210-24-037
Damping Adj Part: Base Stud, M10.25, Grip

029-08-047
Seals: O-Ring [13.0MM ID x 1.0MM CS]
Metric, N-70, Static

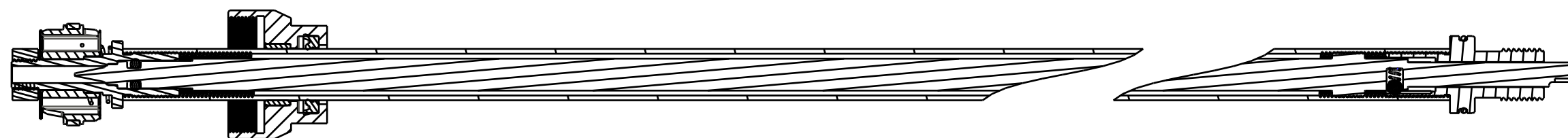
TORQUE:
40±5in-lb

LOCTITE:
RED 263, 2-3 DROPS
360° COVERAGE *

010-01-012
Ball [Ø.1094]

039-00-243
Spring: Detent [.138 TLG, .087 OD, 48 lb/in]

210-24-425
Damping Adj Part: Needle, Rebound, Grip 40



SECTION A-A

029-03-005
O-Ring (-005) [1.070 C.S. X 0.101 ID]

PROPRIETARY
THIS DOCUMENT CONTAINS CONFIDENTIAL, PROPRIETARY INFORMATION
THAT IS FOX PROPERTY. DO NOT DISCLOSE TO OR DUPLICATE
FOR OTHERS EXCEPT AS AUTHORIZED BY FOX.

FOX Factory, Inc. Ph 831-768-1100
130 Hangar Way, Watsonville, CA 95076 USA Fax 831-768-9312

TITLE
2019 40 203, FIT Grip
Damper Shaft Assy

SIZE DWG. NO.
C 820-03-588-KIT

PLOT SCALE 1:1 SHEET 1 OF 1

4

3

2

ProE ASSEM