

4

3

2

1

D

D

C

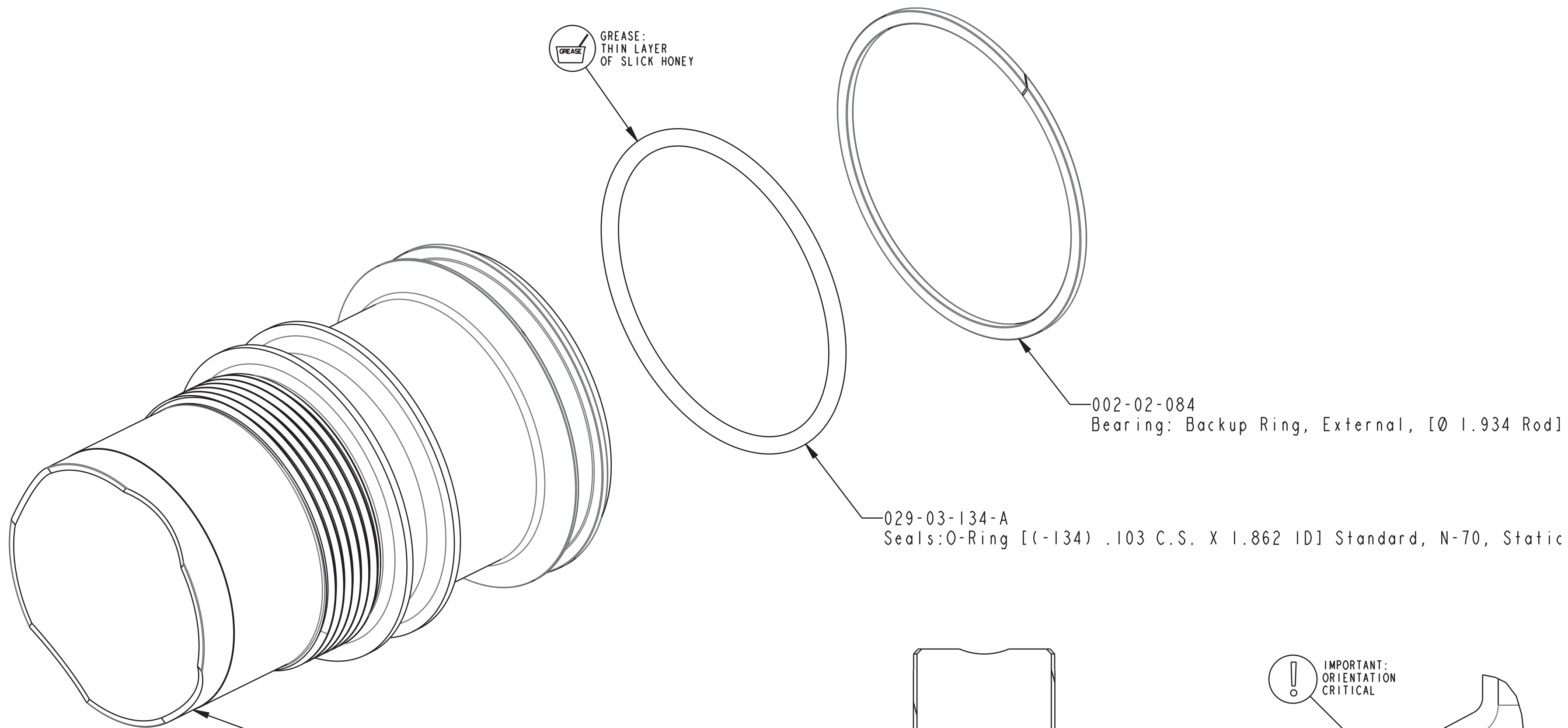
C

B

B

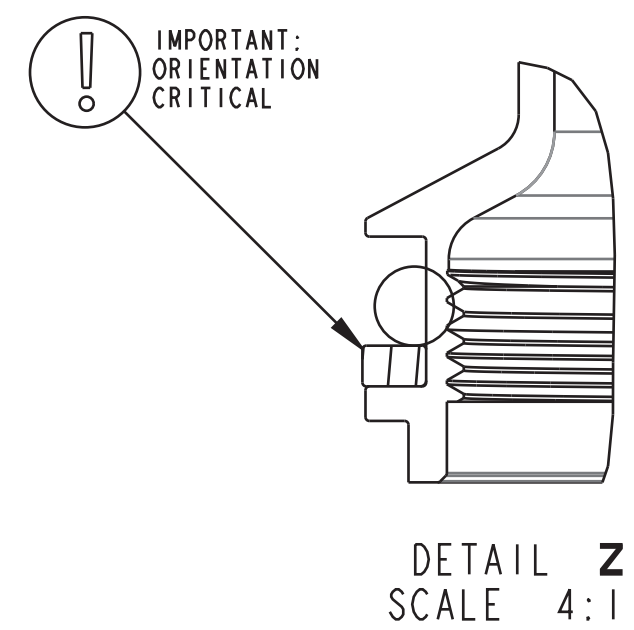
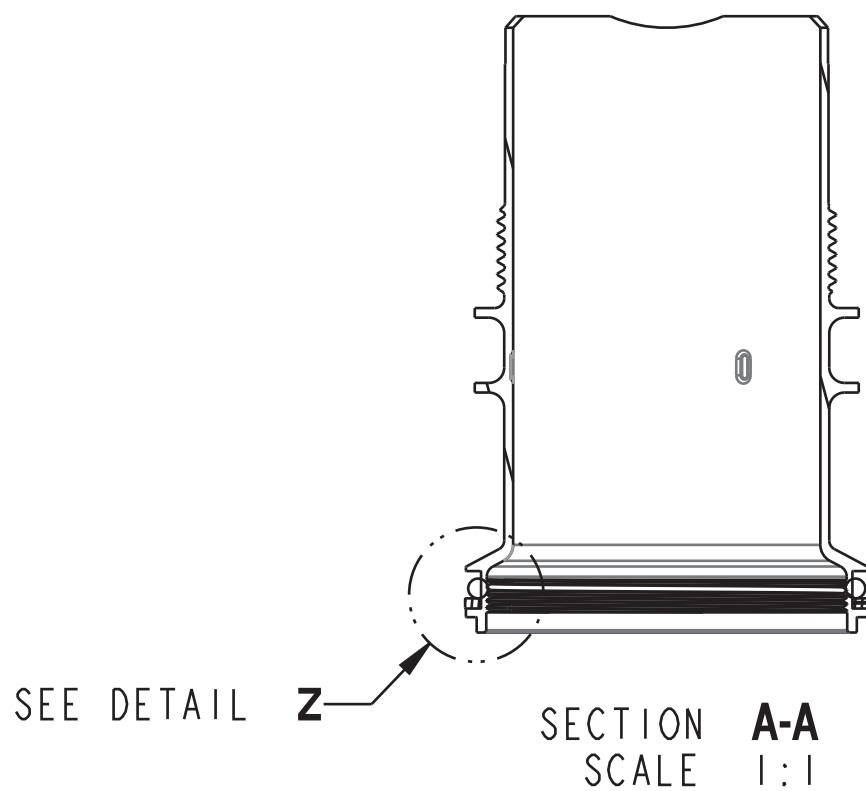
A

A



INNER AIR SLEEVES:

231-00-200:	Sleeve: 2019 Float X2 [1.600ID X 2.092OD X 3.125TLG] AL 6061-T6, Black, Ribbed, 7.875
231-00-201:	Sleeve: 2019 Float X2 [1.600ID X 2.092OD X 3.505TLG] AL 6061-T6, Black, Ribbed, 8.50
231-00-202:	Sleeve: 2019 Float X2 [1.600ID X 2.092OD X 3.535TLG] AL 6061-T6, Black, Ribbed, 8.75
231-00-203:	Sleeve: 2019 Float X2 [1.600ID X 2.092OD X 3.994TLG] AL 6061-T6, Black, Ribbed, 9.50, 225T
231-00-204:	Sleeve: 2019 Float X2 [1.600ID X 2.092OD X 4.505TLG] AL 6061-T6, Black, Ribbed, 10.5
231-00-205:	Sleeve: 2019 Float X2 [1.600ID X 2.092OD X 3.210TLG] AL 6061-T6, Black, Ribbed, 185T
231-00-206:	Sleeve: 2019 Float X2 [1.600ID X 2.092OD X 3.594TLG] AL 6061-T6, Black, Ribbed, 205T
231-00-207:	Sleeve: 2019 Float X2 [1.600ID X 2.092OD X 3.594TLG] AL 6061-T6, Black, Ribbed, 210
231-00-208:	Sleeve: 2019 Float X2 [1.600ID X 2.092OD X 3.994TLG] AL 6061-T6, Black, Ribbed, 230
231-00-209:	Sleeve: 2019 Float X2 [1.600ID X 2.092OD X 4.388TLG] AL 6061-T6, Black, Ribbed, 250



- PROPRIETARY -
 THIS DOCUMENT CONTAINS CONFIDENTIAL, PROPRIETARY INFORMATION
 THAT IS FOX PROPERTY. DO NOT DISCLOSE TO OR DUPLICATE
 FOR OTHERS EXCEPT AS AUTHORIZED BY FOX.

FOX **FOX Factory, Inc.** Ph 831-768-1100
 130 Hangar Way, Watsonville, CA 95076 USA Fax 831-768-9312

TITLE
2019 FLOAT X2 INNER AIR SLEEVES

SIZE DWG. NO.
C

PLOT SCALE 2:1 SHEET 1 OF 1