

4

3

2

1

D

D

C

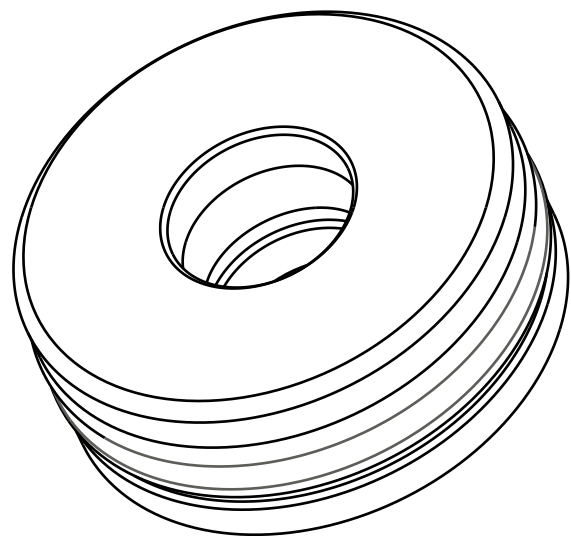
C

B

B

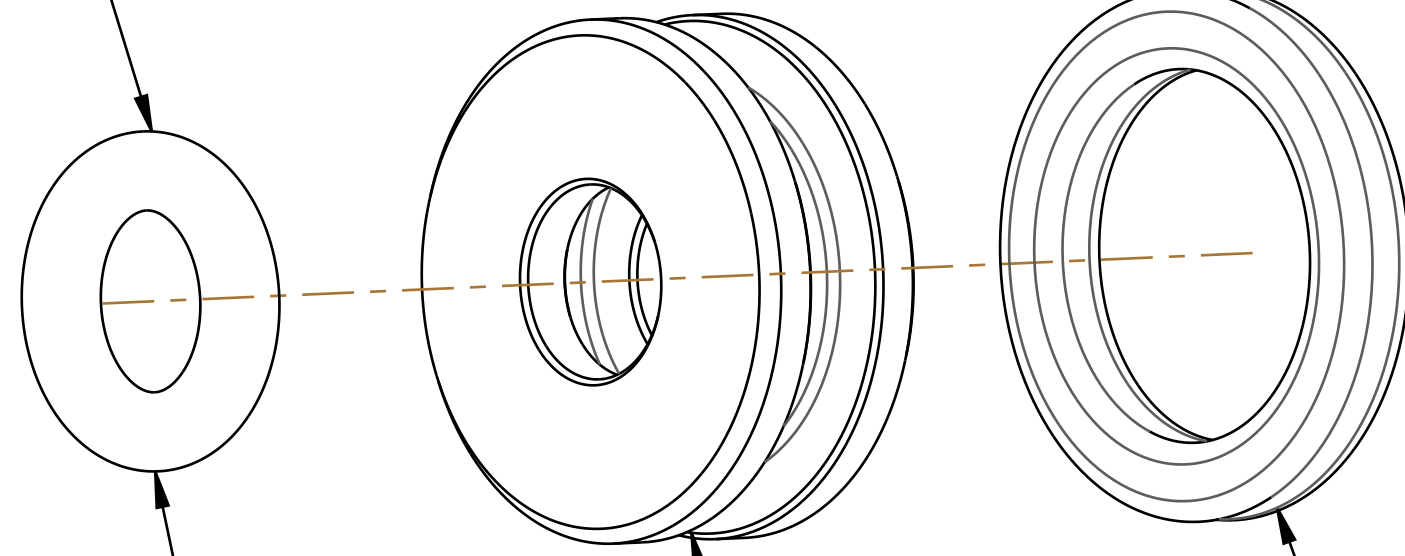
A

A



GREASE:
THIN LAYER
SLICK HONEY

GREASE:
THIN LAYER
SLICK HONEY

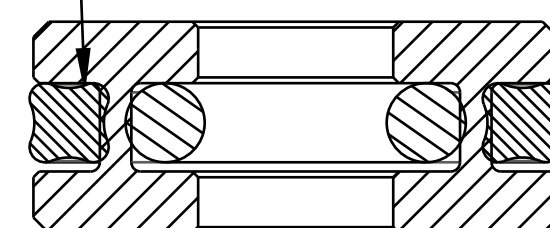


035-00-112
Seals: Q-Ring [(-114) .103 C.S. X 0.625 ID] (366Y or equivalent)

Piston: Floating, Shapeshifter [.683 OD x .275 TLG] Acetal

029-00-108
O-Ring (-108) [.103 C.S. X .237 ID]

NOTE:
CHECK QUAD RING DID NOT
TWIST ON INSTALLATION



SECTION A-A

- PROPRIETARY -
THIS DOCUMENT CONTAINS CONFIDENTIAL, PROPRIETARY INFORMATION
THAT IS FOX PROPERTY. DO NOT DISCLOSE TO OR DUPLICATE
FOR OTHERS EXCEPT AS AUTHORIZED BY FOX.

FOX **FOX Factory, Inc.** Ph 831-768-1100
130 Hangar Way, Watsonville, CA 95076 USA Fax 831-768-9312

TITLE
Piston Assembly:
Shapeshifter, Annular, IFP

SIZE DWG. NO. **805-00-107-KIT**
C
PLOT SCALE 4:1 SHEET 1 OF 1

4

3

2

1