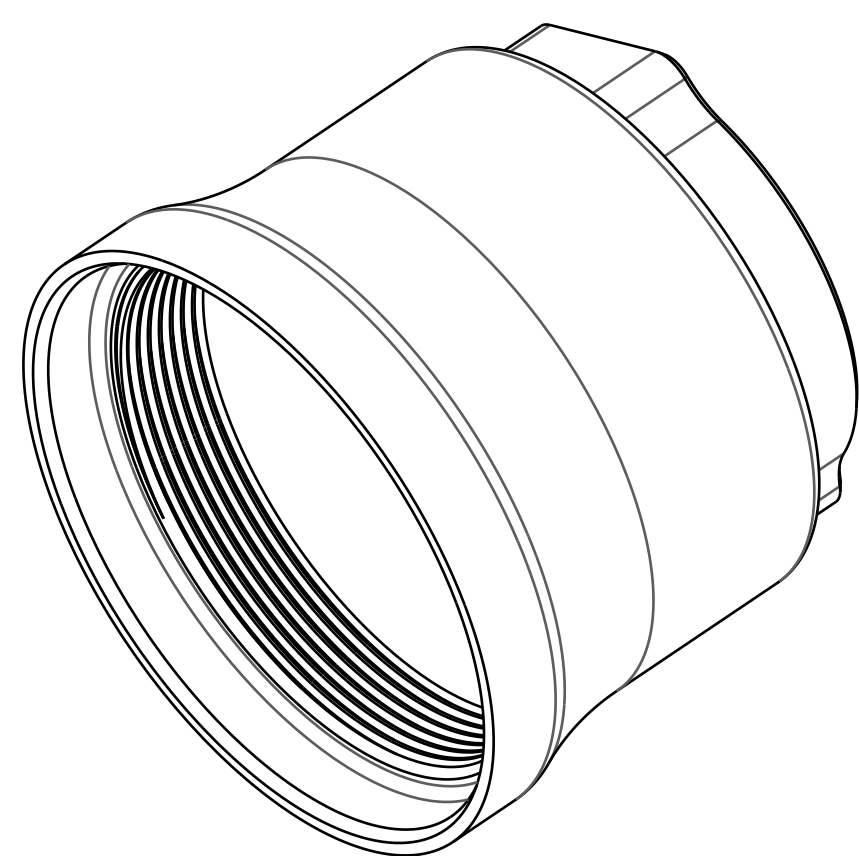


4

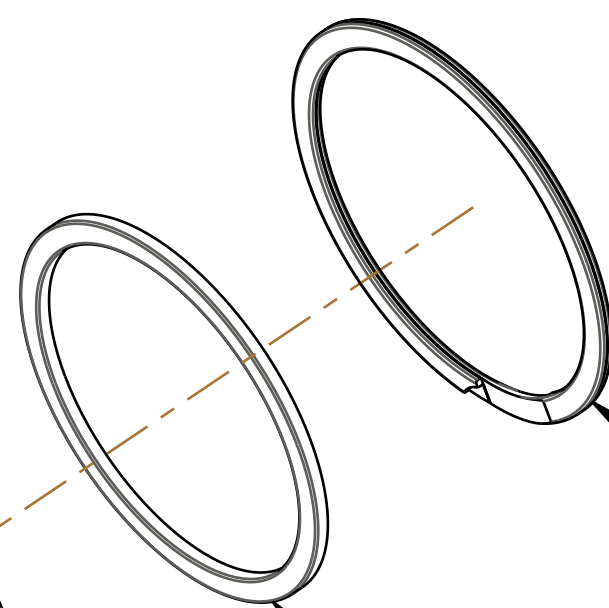
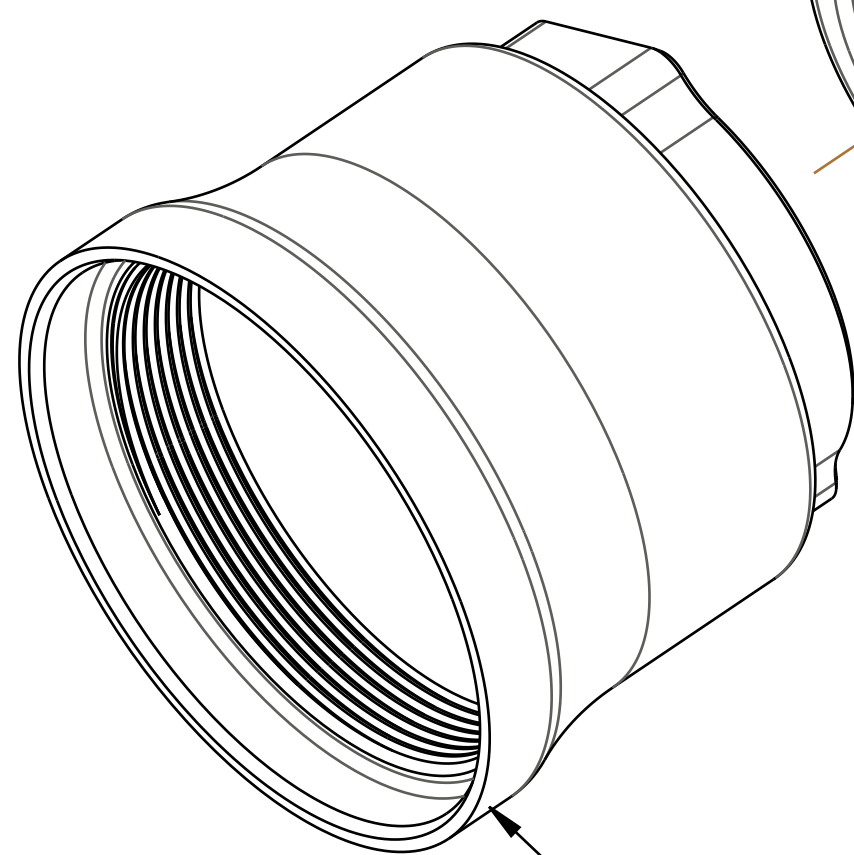
3

2

1



 GREASE:
THIN LAYER
SLICK HONEY, ID AND OD



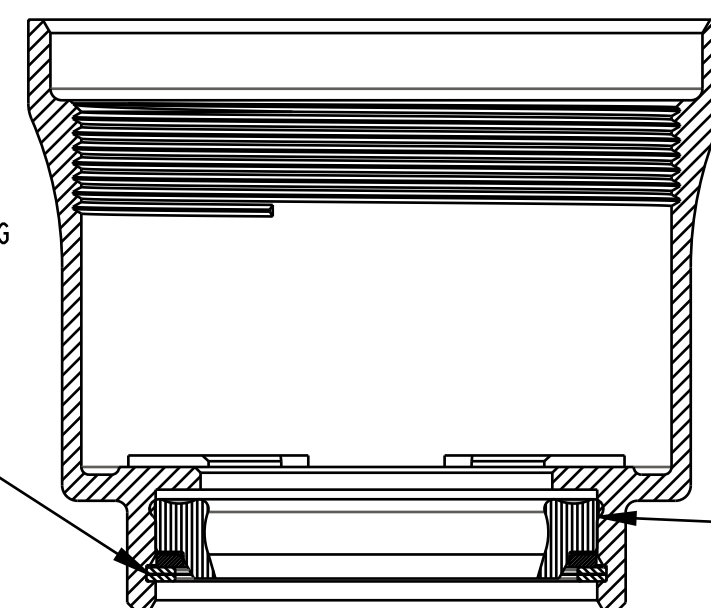
038-00-165
Retaining Ring: Smalley WH115

241-01-086
Washer: 1.005 ID, 1.145 OD, .040 TH. 410SS

036-02-128
Seal: Custom Canned wiper/Quad ring .875 Shaft, 1.150 Bore

Outer Body: Shapeshifter, 1.813 OD, 1.538 TLG, 1.150 Bore canned wiper

 CHECK:
ENSURE RETAINING RING
IS FULLY SEATED 360°



 IMPORTANT:
SEAL ORIENTATION
LIP FACING OUT

SECTION A-A

		FOX Factory, Inc.		Ph 831-768-1100
		130 Hangar Way, Watsonville, CA 95076 USA		Fax 831-768-9312
TITLE	Body Assy: Shapeshifter Outer body, 82, 15, Black Ano			
SIZE	DWG. NO.	806-61-020-KIT		
C	PLOT SCALE 2:1		SHEET 1 OF 1	

- PROPRIETARY -
THIS DOCUMENT CONTAINS CONFIDENTIAL, PROPRIETARY INFORMATION
THAT IS FOX PROPERTY. DO NOT DISCLOSE TO OR DUPLICATE
FOR OTHERS EXCEPT AS AUTHORIZED BY FOX.

4

3

2

ProE ASSEM