

4

3

2

1

D

D

C

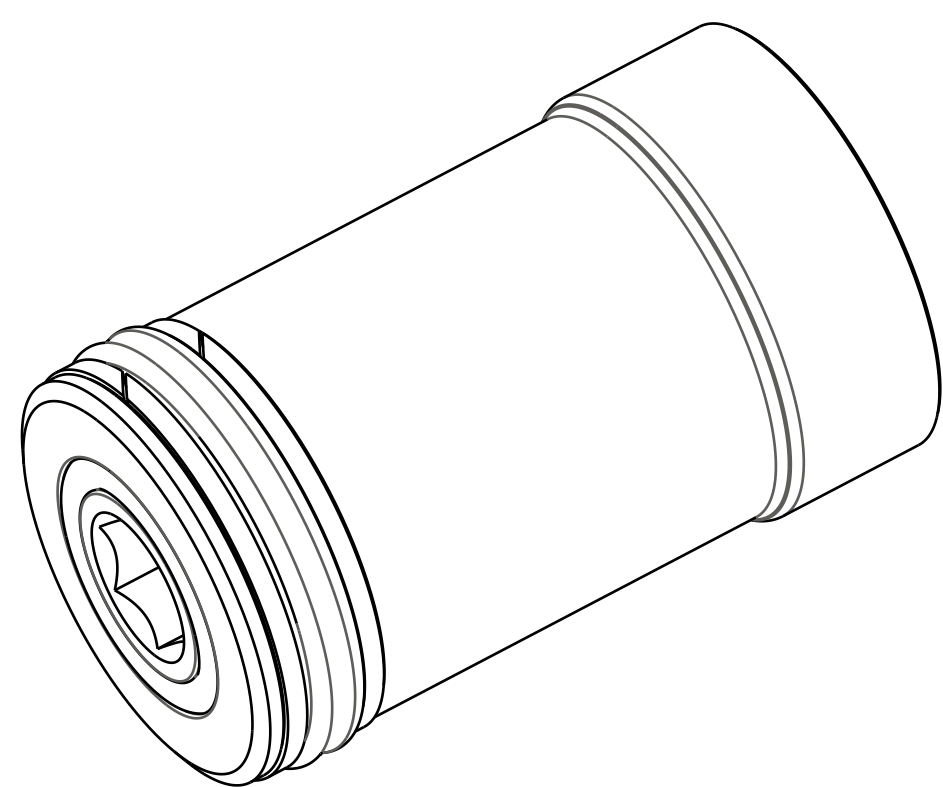
C

B

B

A

A



GREASE:
THIN LAYER
SLICK HONEY

IMPORTANT:
USE NO GREASE
FOR INSTALLATION

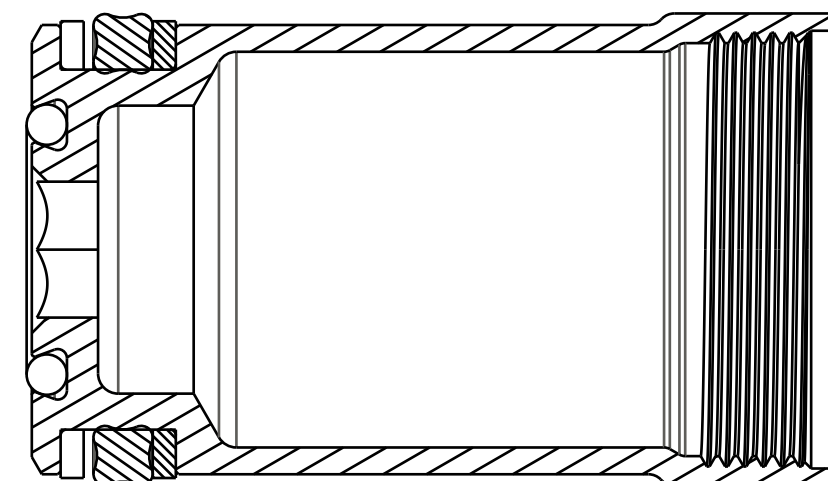
Shaft: Shapeshifter, Inner Body [1.820 OD, .687 ID, 1.403 TLG], Clear Ano III

002-02-078
Backup ring: [1.793 OD, .084 W, .040 TH] Scarf cut, PTFE

035-00-114
Seals: O-Ring [(-114) .103 C.S. X 0.625 ID] (366Y or equivalent)

(002-02-078)

029-03-012
O-Ring (-012) [.070 C.S. X .364 ID]



SECTION A-A

- PROPRIETARY -
THIS DOCUMENT CONTAINS CONFIDENTIAL, PROPRIETARY INFORMATION
THAT IS FOX PROPERTY. DO NOT DISCLOSE TO OR DUPLICATE
FOR OTHERS EXCEPT AS AUTHORIZED BY FOX.

FOX **FOX Factory, Inc.** Ph 831-768-1100
130 Hangar Way, Watsonville, CA 95076 USA Fax 831-768-9312

TITLE
Shaft Assembly:
Shapeshifter Inner Body,
82, 15, Clear Ano

SIZE DWG. NO. **809-03-030-KIT**

PLOT SCALE 3:1 SHEET 1 OF 1

4

3

2

1