

**SHAFTS:**  
 229-72-011: Shaft (T) [.175 ID x .354 OD x 2.529 TLG] AL 7075-T6, Black Ano III, 45mm  
 229-72-012: Shaft (T) [.175 ID x .354 OD x 2.922 TLG] AL 7075-T6, Black Ano III, 55mm

**METERING RODS:**  
 210-84-011: FLOAT 2017, Metering Rod, Rebound [110 ID X 2.632 TLG], 45mm  
 210-84-012: FLOAT 2017, Metering Rod, Rebound [110 ID X 3.025 TLG], 55mm

GREASE:  
 THIN LAYER  
 SLICK HONEY

010-01-009  
 Ball [Dia 1.5MM]Steel

808-17-395-KIT  
 Eyelet Assy: 2019 Nude 4

233-00-253  
 Nude 4 Eyelet Volume Spacer, 5cc  
 (Spark RC and Contessa Spark RC models only)

812-06-087-KIT  
 Bearing Assy: FLOAT, 2018, Short [.940 Bore, 1.500 Bore, 9mm Shaft]

OIL:  
 THIN LAYER  
 FLOAT FLUID

018-08-013  
 Slotted Spring Pin, [1MM Diameter X 6mm Length], 18-8 SS

**MAIN CHAMBER SPACERS:**  
 233-00-217: 2018 Nude 4, 0.1in<sup>3</sup>, One Piece EVOL  
 233-00-394: 2019 Nude 4, 0.2in<sup>3</sup>, 165x40 One Piece EVOL

GREASE:  
 THIN LAYER  
 SLICK HONEY

233-00-393  
 Spacer: Reducer, Volume and Travel,  
 2019 Nude 4, 5mm, 0.14 in<sup>3</sup>  
 (Spark RC, Contessa Spark RC, and Strike models only)

LOCTITE:  
 RED 277  
 PER 605-14-175-01  
 TORQUE:  
 85±5 IN-LBF

**COMPRESSION RODS:**  
 210-24-025: Inner Comp Rod, Scott Float DPS, 2017, 3.278 TLG, 45mm Travel  
 210-24-026: Inner Comp Rod, Scott Float DPS, 2017, 3.671 TLG, 55mm Travel

GREASE:  
 THIN LAYER  
 SLICK HONEY

VALVING ASSEMBLIES

010-01-000  
 Ball [Ø 0.1250] Steel

018-01-034  
 Set Screw [#8-32 X 0.125 TLG] Flat Point, SS

IMPORTANT:  
 PART ORIENTATION CRITICAL: FOX LOGO  
 MUST FACE AGAINST EYELET BASE

029-08-122  
 Seals: O-Ring [8.5mm ID x 2.5mm CS]Metric, N-70, static

**BOTTOM OUT SHIMS:**  
 043-15-010: Valve: [1.100 OD X .356 ID x .015 TH] (Spark RC models)  
 043-15-070: Valve: [1.850 OD X .356 ID X .015 TH] (Spark and Strike models)

IMPORTANT:  
 ORIENTATION CRITICAL. "FOX" TEXT MUST  
 FACE AGAINST BOTTOM OUT SHIM

029-05-030  
 Seals: O-ring [.050 C.S. x .154 ID] Special N0552-90, Dynamic

029-12-000  
 Seals: O-ring, Square cut [0.087 ID X 0.039 WALL X 0.036 TH], NA103-70, Dynamic

SECTION A-A

**BODIES:**  
 207-50-031: Body: FLOAT [Ø 0.940 Bore, 1.060 OD, 3.959 TLG] Kashima, 165(T) x 40/45  
 204-54-231: Body: FLOAT [Ø 0.940 Bore, 1.060 OD, 3.959 TLG] Black Ano III, 165(T) x 40/45  
 204-54-232: Body: FLOAT [Ø 0.940 Bore, 1.060 OD, 4.352 TLG] Black Ano III, 185(T) x 50/55

**AIR SLEEVE ASSEMBLIES:**  
 806-29-670-KIT: Sleeve Assembly: 2018, NUDE, 1.500 Bore, LV, EVOL, Kashima, 165 X 40/45  
 806-29-660-KIT: Sleeve Assembly: 2018, NUDE, 1.500 Bore, LV, EVOL, Black Ano, 165 X 40/45  
 806-29-661-KIT: Sleeve Assembly: 2018, NUDE, 1.500 Bore, LV, EVOL, Black Ano, 185 X 50/55

TORQUE:  
 3±.25 IN-LBF

018-01-015-A  
 Screw [#1-64 X .188 TLG]

GREASE:  
 THIN LAYER  
 SLICK HONEY

TORQUE:  
 20±2 FT.LB.

GREASE:  
 THIN LAYER  
 OF SLICK HONEY

TORQUE:  
 45±5 IN-LBF

029-03-022  
 O-Ring (-022) [.070 C.S. X .989 ID]

010-00-011  
 Pellet [Ø 0.275 X 0.125 TLG] NBR A90

010-00-010  
 Pellet Retainer [5/16-24, .220 TLG]

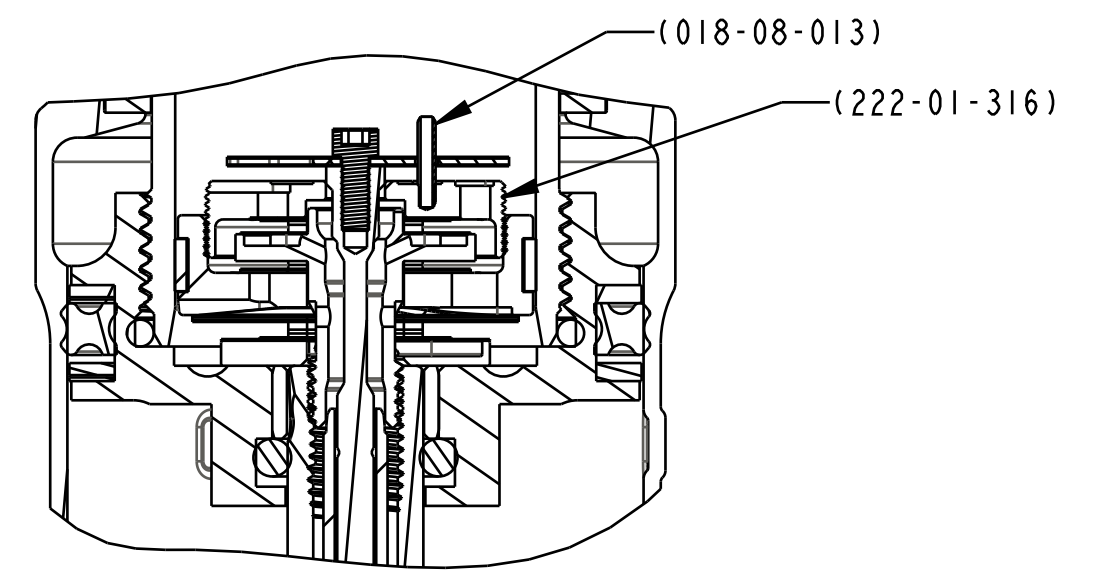
010-01-003  
 Ball [Ø 0.1875] Delrin

TORQUE:  
 14±2 IN-LBF

805-00-092-KIT  
 Piston Assembly: Floating [Ø 0.940 Bore, 0.325 TLG]

018-05-062  
 Fastener, Standard: Washer [.087 ID X .177 OD X .0315 TH] Steel, Zinc

241-01-074  
 Tri-lobe Lockout Plate: [1.800 OD, .020 TH], 20L/20C Steel



SECTION B-B  
 SCALE 2:1

**FOX Factory, Inc.**  
 130 Hangar Way, Watsonville, CA 95076 USA  
 Ph 831-768-1100  
 Fax 831-768-9312

**2019 Nude 4, EVOL, Trunnion**

SIZE DWG. NO.  
 D  
 PLOT SCALE 1:1 SHEET 1 OF 2

PROPRIETARY  
 THIS DOCUMENT CONTAINS CONFIDENTIAL, PROPRIETARY INFORMATION  
 THAT IS FOX PROPERTY. DO NOT DISCLOSE TO OR DUPLICATE  
 FOR OTHERS EXCEPT AS AUTHORIZED BY FOX.