

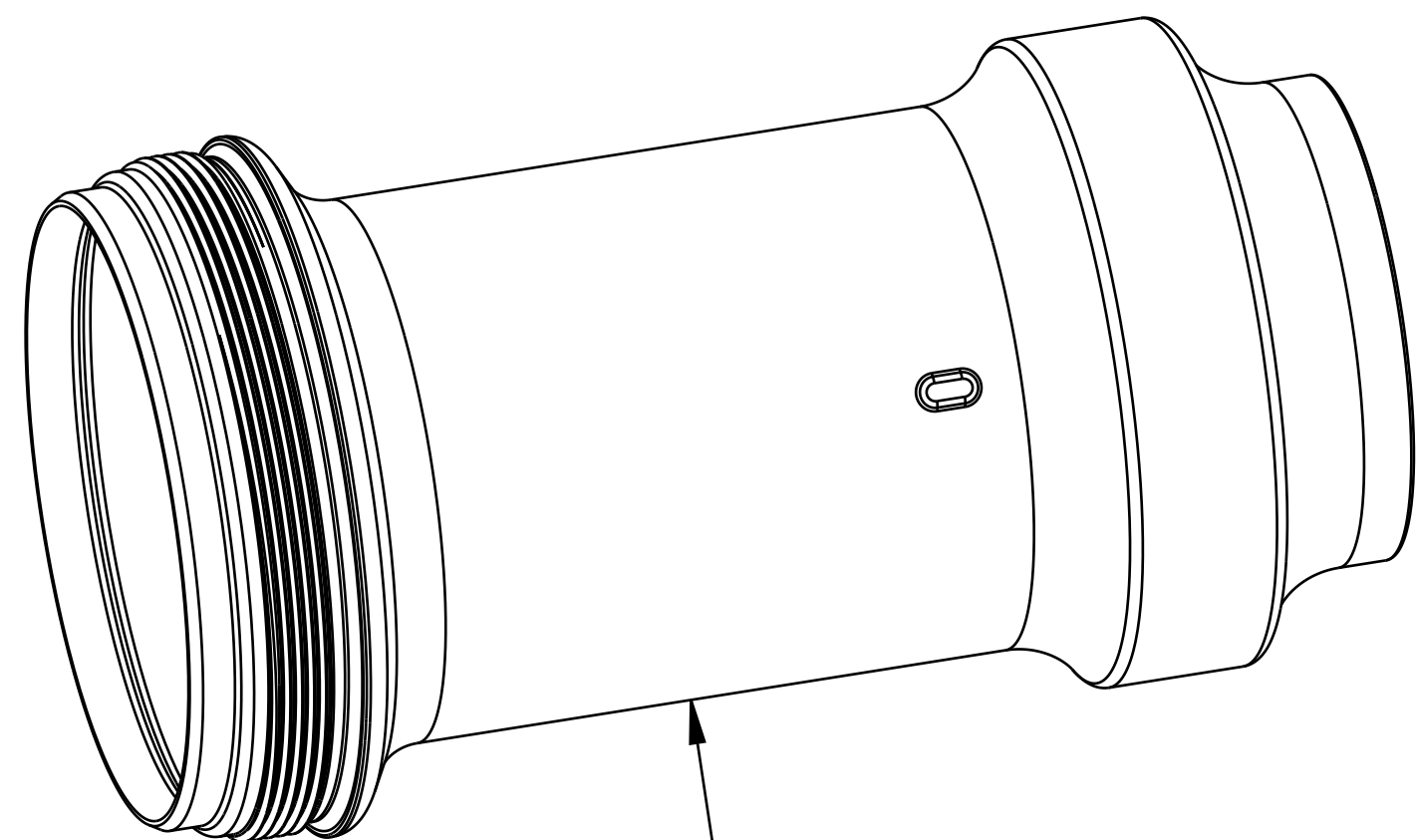
4

3

2

1

ALL AIR SLEEVE SEALS PRESENT IN KIT: 803-00-142



Air Sleeve



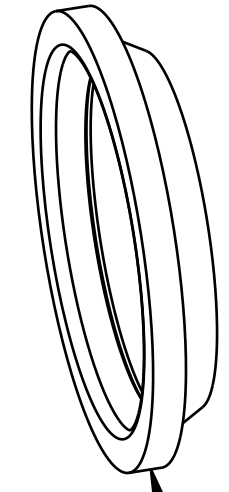
Bearing: Back Up Ring [Ø 1.060 Shaft]



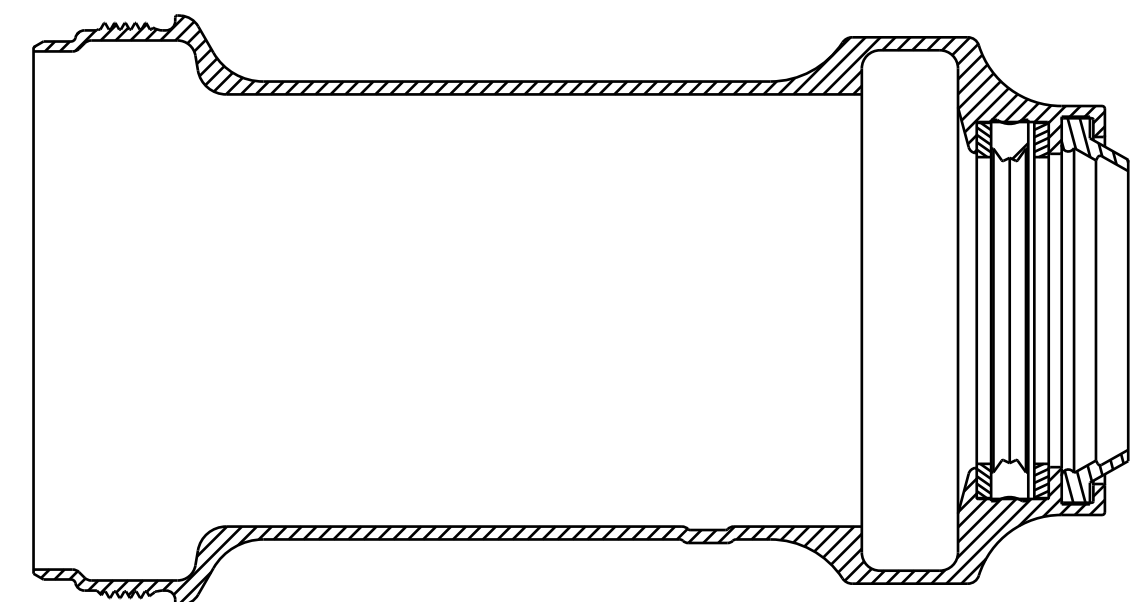
Seal: Chevron, FLOAT Body [Ø 1.060 Shaft]



Bearing: Back Up Ring [Ø 1.060 Shaft]



Wiper, Samurai [Ø 1.060 Shaft]



- PROPRIETARY -
 THIS DOCUMENT CONTAINS CONFIDENTIAL, PROPRIETARY INFORMATION
 THAT IS FOX PROPERTY. DO NOT DISCLOSE TO OR DUPLICATE
 FOR OTHERS EXCEPT AS AUTHORIZED BY FOX.

FOX **FOX Factory, Inc.** Ph 831-768-1100
 130 Hangar Way, Watsonville, CA 95076 USA Fax 831-768-9312

TITLE
**2019 LIVE Valve FLOAT
 Air Sleeve Assemblies**

SIZE DWG. NO.
C
 PLOT SCALE 2:1 SHEET 1 OF 1

ProE ASSEM

4

3

2

1