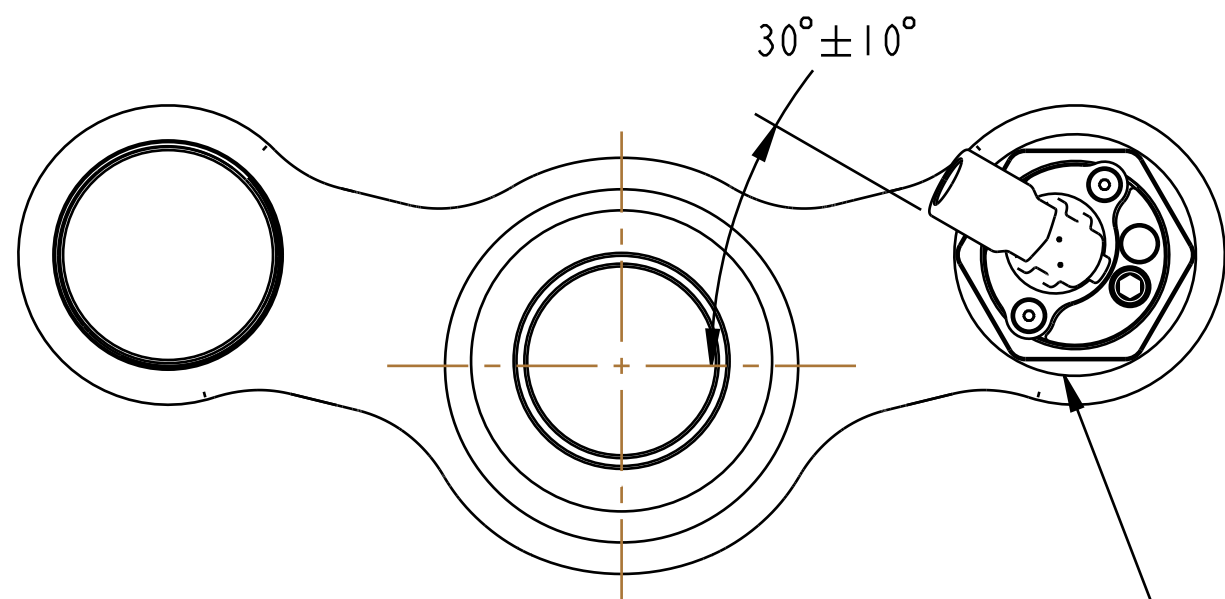


4

3

2

1



REFERENCE ONLY  
(FOR INSTALLATION  
INTO FORK)

TORQUE:  
50±5 IN. LB FOR 10mm HEX  
80±5 IN. LB FOR 15mm HEX

IMPORTANT:  
AFTER TOPCAP IS TORQUED,  
ALIGN ADJUSTER AND CAP AT ANGLES SHOWN

FASTENERS:  
019-01-048: Fastener, Standard (Metric): Screw [M2.5 X 6mm] Socket Head Cap, Stainless (SC only)  
018-01-004-A: Fastener, Standard: Screw [#8-32 X 0.250 TLG] 303 SS, Socket Set Half Dog Point (Non-SC)

LOCTITE:  
BLUE 242  
ONE DROP

TORQUE:  
5±1 IN. LB.

REBOUND KNOBS:  
210-24-178: Knob: Rebound Adj, Extruded, FIT4 Lightweight, 29in Fork, Long (SC only)  
210-03-120: Knob, Rebound, 2011 36\_40 (Non-SC)

BOTTOM NUTS:  
241-00-005: Fastener, Custom: Nut, Bottom, R\_RL\_RLC (32mm SC)  
241-00-022: Fastener, Custom: Nut, Bottom, 011 (36mm)  
241-00-011: Fastener, Custom: Nut, Bottom, R (34mm)

CRUSH WASHERS:  
241-01-002-C: Fastener, Custom: Crush Washer, Plastic, R\_RL\_RLC (32mm SC)  
241-01-011: Fastener, Custom: Crush Washer, Plastic, 13mm (34mm and 36mm)

BOTTOM STUD INTERFACE PARTS:  
820-05-228-KIT: 2017 FIT4 Bottom Stud Interface Parts, 32, SC, 29in Fork  
820-05-377-KIT: 2016 FIT4 Bottom Stud Interface Parts 36 and 40  
820-05-335-KIT: 2016 FIT4 Bottom Stud Interface Parts 34

TORQUE:  
220±5 IN LB  
INTO FORK

CARTRIDGE ASSEMBLIES

**FOX** FOX Factory, Inc. Ph 831-768-1100  
130 Hangar Way, Watsonville, CA 95076 USA Fax 831-768-9312

TITLE  
**2019 LIVE Valve OE**  
**Cartridge Assemblies Complete**

SIZE DWG. NO.  
**C**  
PLOT SCALE NONE SHEET 1 OF 1

PROPRIETARY  
THIS DOCUMENT CONTAINS CONFIDENTIAL, PROPRIETARY INFORMATION  
THAT IS FOX PROPERTY. DO NOT DISCLOSE TO OR DUPLICATE  
FOR OTHERS EXCEPT AS AUTHORIZED BY FOX.

4

3

2

ProE ASSEM