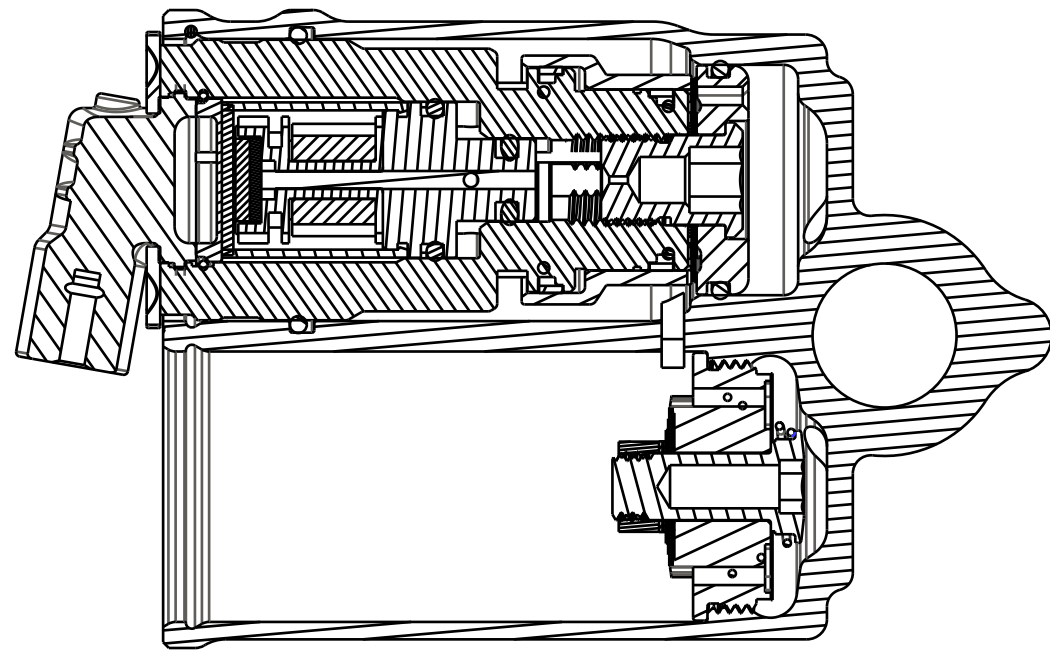


4

3

2

1



Reservoir: 2019 LIVE Shock, [0.940 IFP Bore] 6061-T6, Black Ano III

Seals: O-Ring [24.0MM ID x 1.5MM CS] Metric, N-70, Static

029-08-013

TORQUE:  
40±5 IN.LB.

815-00-091-KIT  
2019 LIVE Compression Housing Sub Assy, Damped BV

038-01-040

Retaining Ring: Wire [1.070 OD x 0.040 CS] 17-7 SST

TORQUE:  
2.0 ± 0.5 IN-LB

(241-02-125)

IMPORTANT:  
VERIFY INSTALLATION  
FULL 360°

210-24-399  
Solenoid End Cap Retainer Plate, Live Valve

NOTE:  
ORIENTATION  
CRITICAL

241-02-125  
Fastener, Custom, (Metric): [M2 x 4MM] Socket, Flathead, SS, Patchlock

TORQUE:  
150±25 IN.LB.

LOCKOUT BLOWOFF ASSEMBLIES:  
815-02-130-KIT: Damping Adj Assy: 2018 Live Shock, Lockout Blowoff, BM, 1 Bleed (Scott Spark, Giant Anthem Advanced 29/Reign Advanced 27.5)  
815-02-131-KIT: Damping Adj Assy: 2018 Live Shock, Lockout Blowoff, BM, 2 Bleed (Pivot Mach 5.5, Rocky Altitude/Instinct/Thunderbolt Carbon)  
815-02-122-KIT: Damping Adj Assy: 2019 Live Shock, Lockout Blowoff, BL, 2 Bleed (Scott Genius)

REZI COMPRESSION ASSEMBLIES:  
815-02-056-KIT: Damping Adj Assy: 2019 Live Shock, Rezi Compression, CM (Scott Spark/Genius, Giant Anthem Advanced 29/Reign Advanced 27.5, Pivot Mach 5.5)  
815-02-089-KIT: Damping Adj Assy: 2019 Live Shock, Rezi Compression, CL (Rocky Instinct Carbon, Rocky Instinct Carbon, Rocky Thunderbolt Carbon)

USE SHOCK OIL TO INSTALL ALL O-RINGS  
DO NOT USE SLICK HONEY

PROPRIETARY  
THIS DOCUMENT CONTAINS CONFIDENTIAL, PROPRIETARY INFORMATION  
THAT IS FOX PROPERTY. DO NOT DISCLOSE TO OR DUPLICATE  
FOR OTHERS EXCEPT AS AUTHORIZED BY FOX.

**FOX** **FOX Factory, Inc.** Ph 831-768-1100  
130 Hangar Way, Watsonville, CA 95076 USA Fax 831-768-9312

TITLE  
Reservoir Assy,  
2019 Live Valve

SIZE DWG. NO. **810-11-205-KIT**

PLOT SCALE | .50:1 | SHEET 1 OF 1

4

3

2

1